

S2

Insect screen for
doors & windows

DESIGNED FOR
—
OPENINGS TO
102" WIDE
—
SCREENS BY
CENTOR



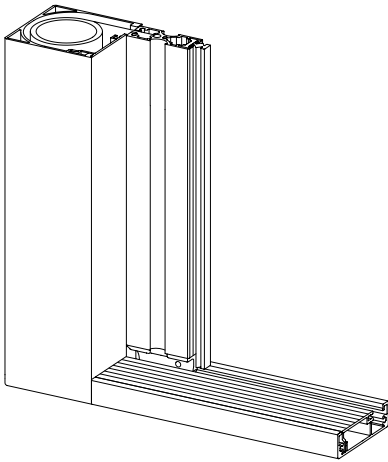
centor®

*Enjoy fresh air, sunlight
and uninterrupted views –
without insects!*

Connect with the beauty of your garden while keeping unwanted pests outside with the Centor S2 Screen.

Based on Centor's award-winning screening technology, the S2 Screen invites fresh air and sunlight into your home. Retracting horizontally into its frame when not in use, the S2 Screen ensures views remain uninterrupted whether they are open or closed!

The Centor S2 Screen can be paired with doors or windows up to 102 ³/₈" (2600mm) wide and 124" (3150mm) high.





Enjoy uninterrupted views
with retractable screens that
are perfectly flat



Keep your home insect
free without the need to reach
for chemicals and sprays



With the touch of a fingertip
your youngest family members
can move the screens aside



Removable covers make
cleaning simple so your screens
continue to work like new



Simple to use

Centor's 67-year history of engineering excellence is clear to see and feel! While robust, the S2 Screen operates smoothly from any height on the stile with one hand so even the youngest members of your family can use them. When opened, the screen stays in any position without snapping shut, allowing for an easy transition from inside to out.

Should the screen mesh blow out of the top or bottom track, it will feed back onto the roll the next time it is retracted.

Considered design

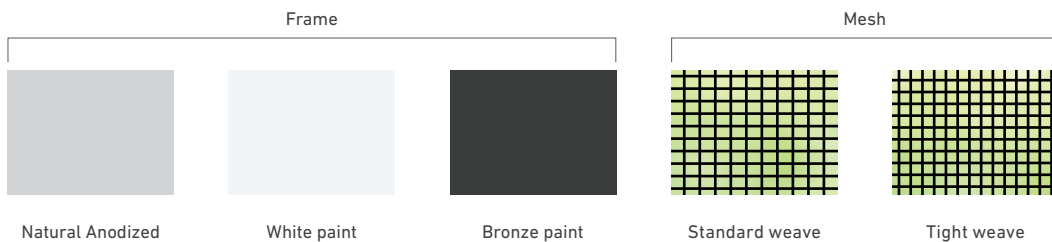
The S2 Screen can be paired with double-swing and sliding doors and with many styles of windows. Clever design allows it to be installed on either the inside or outside of the opening depending on your requirements.

Once in place, the screen mechanism is accessible through the removable covers for simple repair, servicing or cleaning.

Materials and finishes

The durable aluminum frame is available in natural anodized or painted in white or bronze.

The charcoal insect mesh is made from hard-wearing polyester/PVC and is available in Standard weave (for flies, moths and other pests) or Tight weave (for tiny insects).

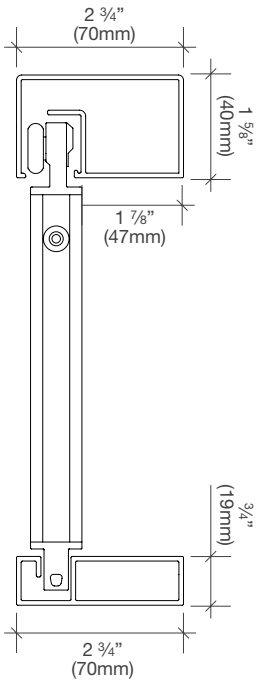


Product detail

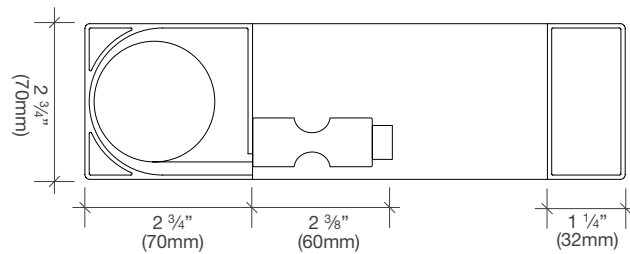
Thanks to its compact design the S2 Screen is easily paired with a new door, either during a remodel or new construction, or can be retrofitted to an existing door.

Single screen		
Frame width	25 3/16" – 51 1/8"	640 – 1300mm
Frame height	27 9/16" – 124"	700 – 3150mm
Double screen		
Frame width	47 1/4" – 102 3/8"	1200 – 2600mm
Frame height	27 9/16" – 124"	700 – 3150mm

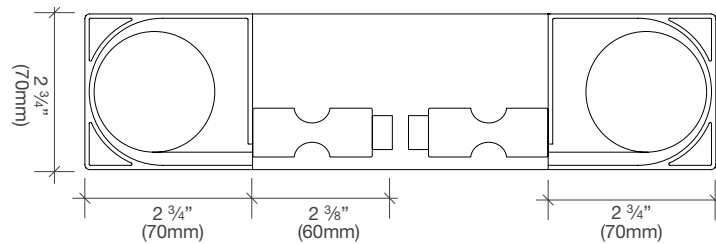
Cross section



Single screen



Double screen



Centor North America Inc

966-130 Corporate Blvd
Aurora, IL 60502
toll free (inside US) 866-255-0008
t +1 630-957-1000
mail.us@centor.com
www.centorhardware.com

Your Centor screen dealer is:

centor®