

REVISIONS			
REV	DESCRIPTION	DATE	APPROVED

NOTES:

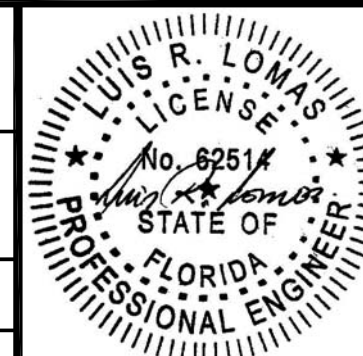
1. THE PRODUCT SHOWN HEREIN IS DESIGNED AND MANUFACTURED TO COMPLY WITH REQUIREMENTS OF THE FLORIDA BUILDING CODE, INCLUDING THE HVHZ.
2. WOOD FRAMING AND MASONRY OPENING TO BE DESIGNED AND ANCHORED TO PROPERLY TRANSFER ALL LOADS TO STRUCTURE. FRAMING AND MASONRY OPENING IS THE RESPONSIBILITY OF THE ARCHITECT OR ENGINEER OF RECORD.
3. 1X BUCK OVER MASONRY/CONCRETE IS OPTIONAL.
4. WHERE SHIM OR BUCK THICKNESS IS LESS THAN 1-1/2" WINDOW UNITS MUST BE ANCHORED THROUGH THE FRAME IN ACCORDANCE WITH MANUFACTURER'S PUBLISHED INSTALLATION INSTRUCTIONS. ANCHORS SHALL BE SECURELY FASTENED DIRECTLY INTO MASONRY, CONCRETE OR OTHER STRUCTURAL SUBSTRATE MATERIAL.
5. WHERE WOOD BUCK THICKNESS IS 1-1/2" OR GREATER, BUCK SHALL BE SECURELY FASTENED TO MASONRY, CONCRETE OR OTHER STRUCTURAL SUBSTRATE. WINDOW UNITS MAY BE ANCHORED THROUGH FRAME TO SECURED WOOD BUCK IN ACCORDANCE WITH MANUFACTURER'S PUBLISHED INSTALLATION INSTRUCTIONS.
6. WHERE 1X BUCK IS NOT USED DISSIMILAR MATERIALS MUST BE SEPARATED WITH APPROVED COATING OR MEMBRANE. SELECTION OF COATING OR MEMBRANE IS THE RESPONSIBILITY OF THE ARCHITECT OR ENGINEER OF RECORD.
7. BUCKS SHALL EXTEND BEYOND WINDOW INTERIOR FACE SO THAT FULL FRAME SUPPORT IS PROVIDED.
8. SHIM AS REQUIRED AT EACH ANCHOR LOCATION WITH LOAD BEARING SHIM. SHIM WHERE SPACE OF 1/16" OR GREATER OCCURS. MAXIMUM ALLOWABLE SHIM STACK TO BE 1/4".
9. SHIMS SHALL BE LOCATED, APPLIED AND MADE FROM MATERIALS AND THICKNESS CAPABLE OF SUSTAINING APPLICABLE LOADS.
10. WIND LOAD DURATION FACTOR Cd=1.6 WAS USED FOR WOOD ANCHOR CALCULATIONS.
11. FRAME MATERIAL: EXTRUDED ALUMINUM 6063-T6.
12. UNITS MUST BE GLAZED PER ASTM E1300-04/09, SEE SHEET 3 FOR GLASS DETAILS.
13. APPROVED IMPACT PROTECTIVE SYSTEM IS NOT REQUIRED FOR THIS PRODUCT IN WIND BORNE DEBRIS REGIONS.
14. FOR ANCHORING INTO WOOD FRAMING OR 2X BUCK USE #10 WOOD SCREWS WITH SUFFICIENT LENGTH TO ACHIEVE A 1 1/4" MINIMUM EMBEDMENT INTO SUBSTRATE. LOCATE ANCHORS AS SHOWN IN ELEVATIONS AND INSTALLATION DETAILS.

15. FOR ANCHORING INTO MASONRY/CONCRETE USE 1/4" ELCO CRETE-FLEX TAPCONS WITH SUFFICIENT LENGTH TO ACHIEVE A 1 1/4" MINIMUM EMBEDMENT INTO SUBSTRATE WITH 2 1/2" MINIMUM EDGE DISTANCE. LOCATE ANCHORS AS SHOWN IN ELEVATIONS AND INSTALLATION DETAILS.
16. FOR ANCHORING INTO METAL STRUCTURE USE #10 SMS OR SELF DRILLING SCREWS WITH SUFFICIENT LENGTH TO ACHIEVE 3 THREADS MINIMUM BEYOND STRUCTURE INTERIOR WALL. LOCATE ANCHORS AS SHOWN IN ELEVATIONS AND INSTALLATION DETAILS.
17. ALL FASTENERS TO BE CORROSION RESISTANT.
18. INSTALLATION ANCHORS SHALL BE INSTALLED IN ACCORDANCE WITH ANCHOR MANUFACTURER'S INSTALLATION INSTRUCTIONS AND ANCHORS SHALL NOT BE USED IN SUBSTRATES WITH STRENGTHS LESS THAN THE MINIMUM STRENGTH SPECIFIED BELOW:
 - A. WOOD: MINIMUM SPECIFIC GRAVITY OF G=0.42
 - B. CONCRETE: MINIMUM COMPRESSIVE STRENGTH OF 2,000 PSI.
 - C. MASONRY: HOLLOW/FILLED BLOCK PER ASTM C90 WITH Fm=2,000PSI MINIMUM.
 - D. METAL STRUCTURE: STEEL 18GA (.048") FY=33KSI/FU=52KSI OR ALUMINUM 6063-T5 FU=30KSI .058" THICK MINIMUM.
19. APPROVED CONFIGURATIONS: OX, XO.

SIGNED: 03/21/2017

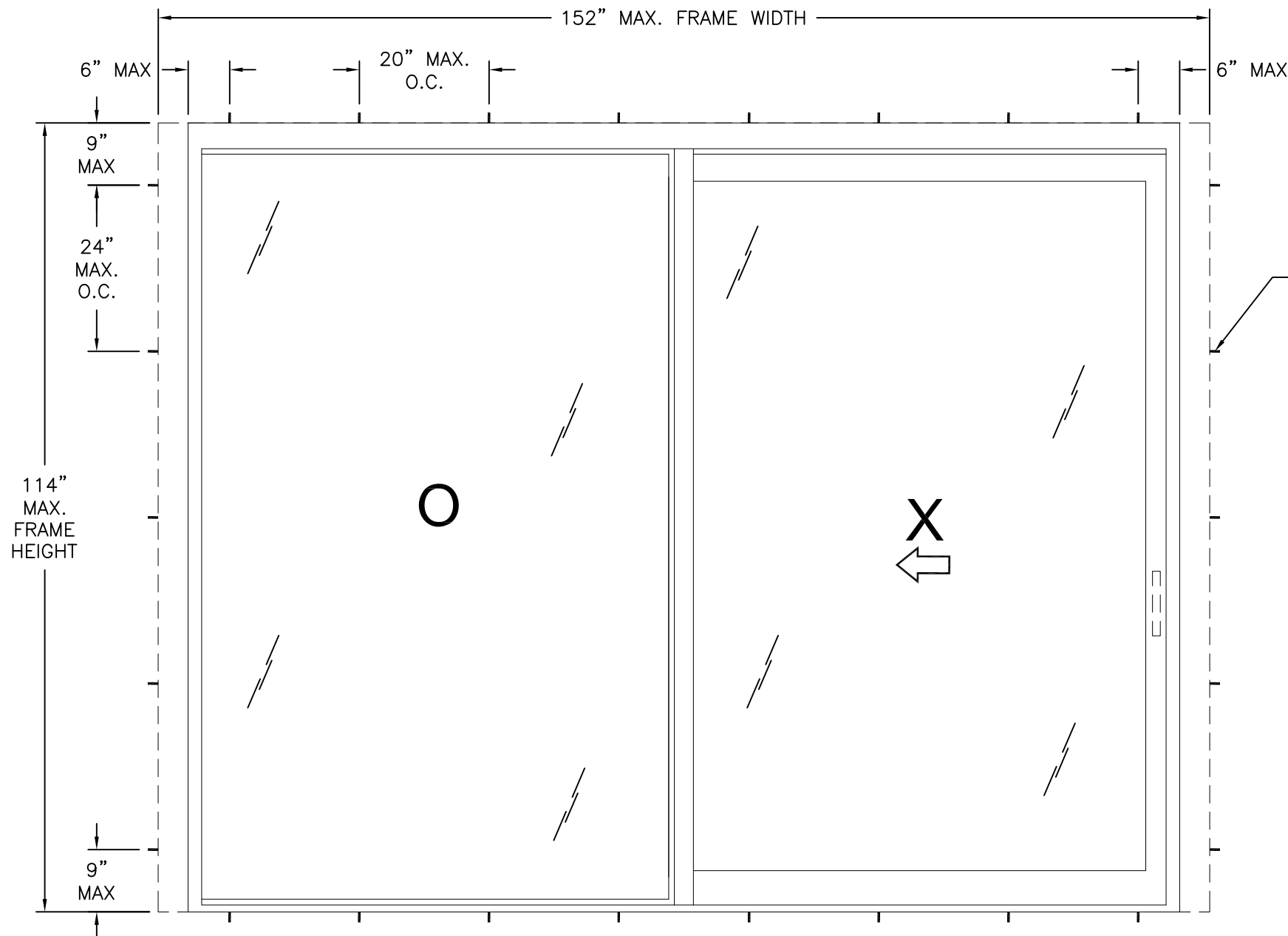
TABLE OF CONTENTS	
SHEET NO.	DESCRIPTION
1	ELEVATION, ANCHORING AND NOTES
2	CROSS SECTIONS AND B.O.M.
3 - 5	INSTALLATION DETAILS
6	COMPONENTS

CENTOR NORTH AMERICA INC. 966-130 CORPORATE BLVD AURORA, IL		
SERIES 211 IMPACT SLIDING GLASS DOOR XO HVHZ 152" X 114" NOTES		
DRAWN: R.S.	DWG NO. 08-03063	REV -
SCALE NTS	DATE 03/09/2017	SHEET 1 OF 6
L. ROBERTO LOMAS P.E. 1432 WOODFORD RD LEWISVILLE, NC 27023 434-688-0609 rllomas@rlomaspe.com		



Luis R. Lomas P.E.
FL No.: 62514

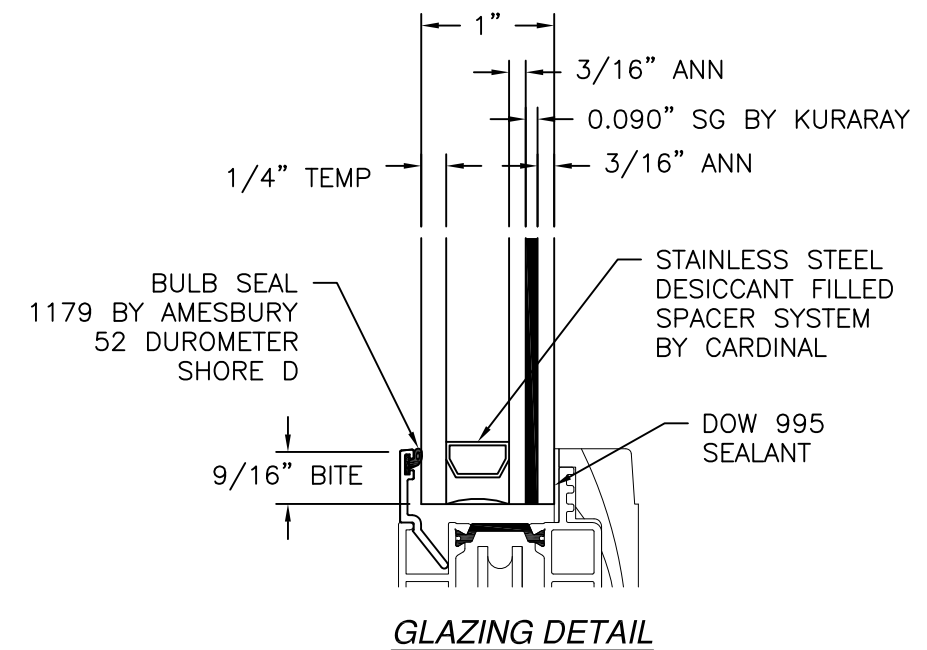
REVISIONS			
REV	DESCRIPTION	DATE	APPROVED



(2) ANCHORS
AT EACH
LOCATION

NOTES:

1. MAXIMUM PANEL SIZE: 67 5/8" X 107 1/4"
2. MAXIMUM D.L.O.: 60 1/2" X 99"



SERIES 211 SLIDING GLASS DOOR
EXTERIOR VIEW

DESIGN PRESSURE RATING	IMPACT RATING
±55.0PSF	LARGE AND SMALL MISSILE IMPACT

MISSILE LEVEL D, WIND ZONE 4, AND HVHZ.

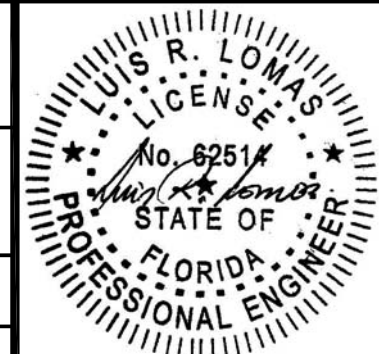
SIGNED: 03/21/2017

CENTOR NORTH AMERICA INC.
966-130 CORPORATE BLVD
AURORA, IL

SERIES 211 IMPACT SLIDING GLASS DOOR XO
HVHZ 152" X 114"
ELEVATION

DRAWN: R.S.	DWG NO. 08-03063	REV -
SCALE NTS	DATE 03/09/2017	SHEET 2 OF 6

L. ROBERTO LOMAS P.E.
1432 WOODFORD RD LEWISVILLE, NC 27023
434-688-0609 rllomas@rlomaspe.com

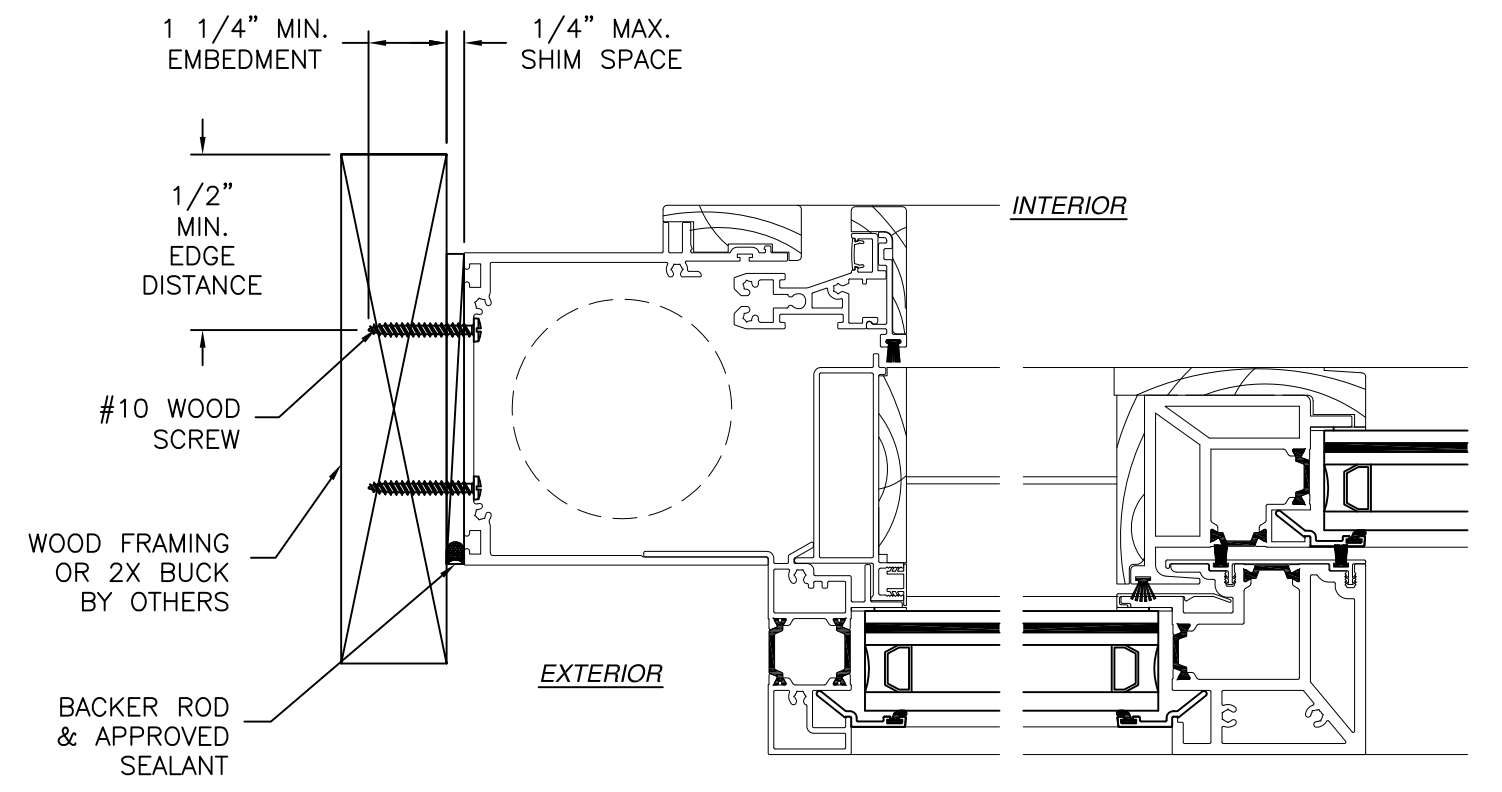
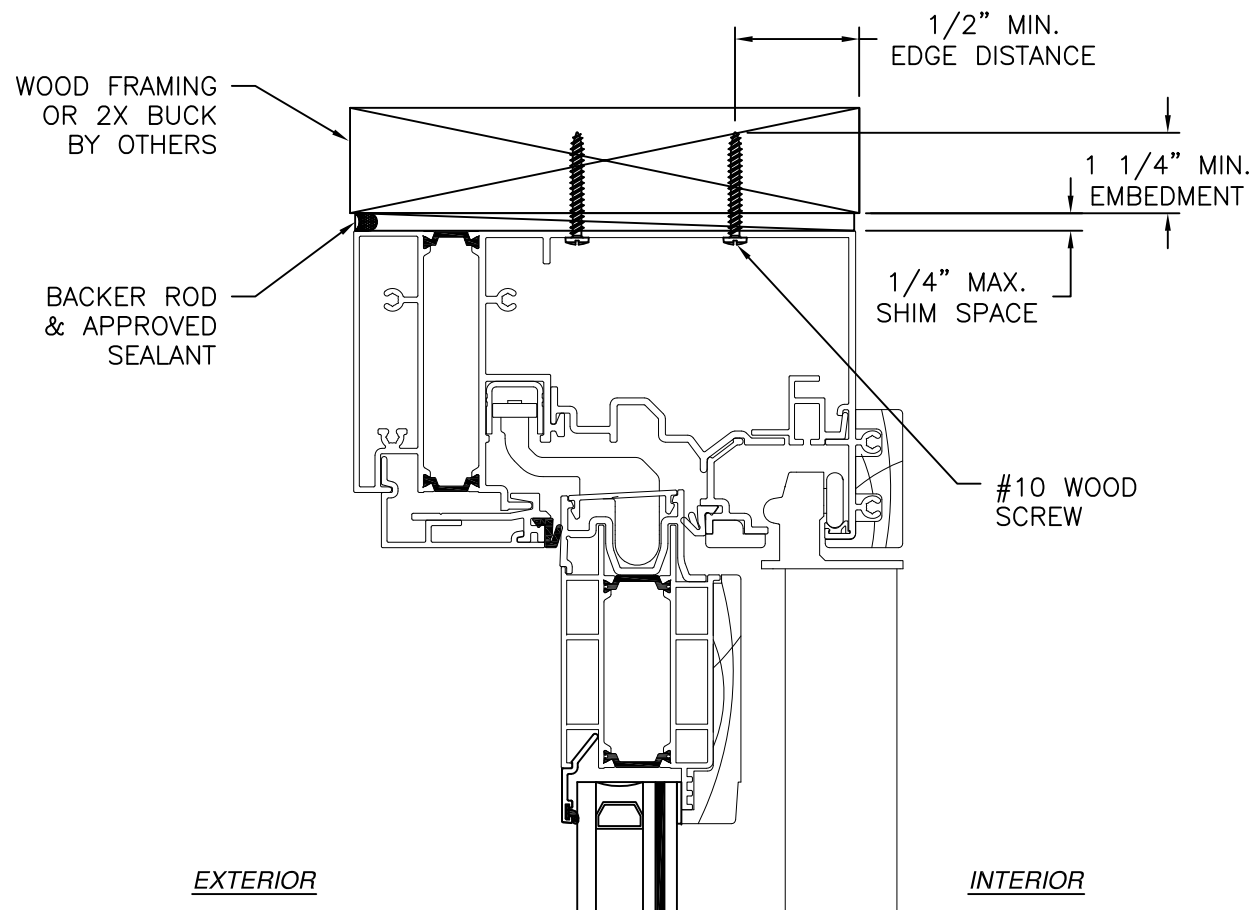


Luis R. Lomas P.E.
FL No.: 62514

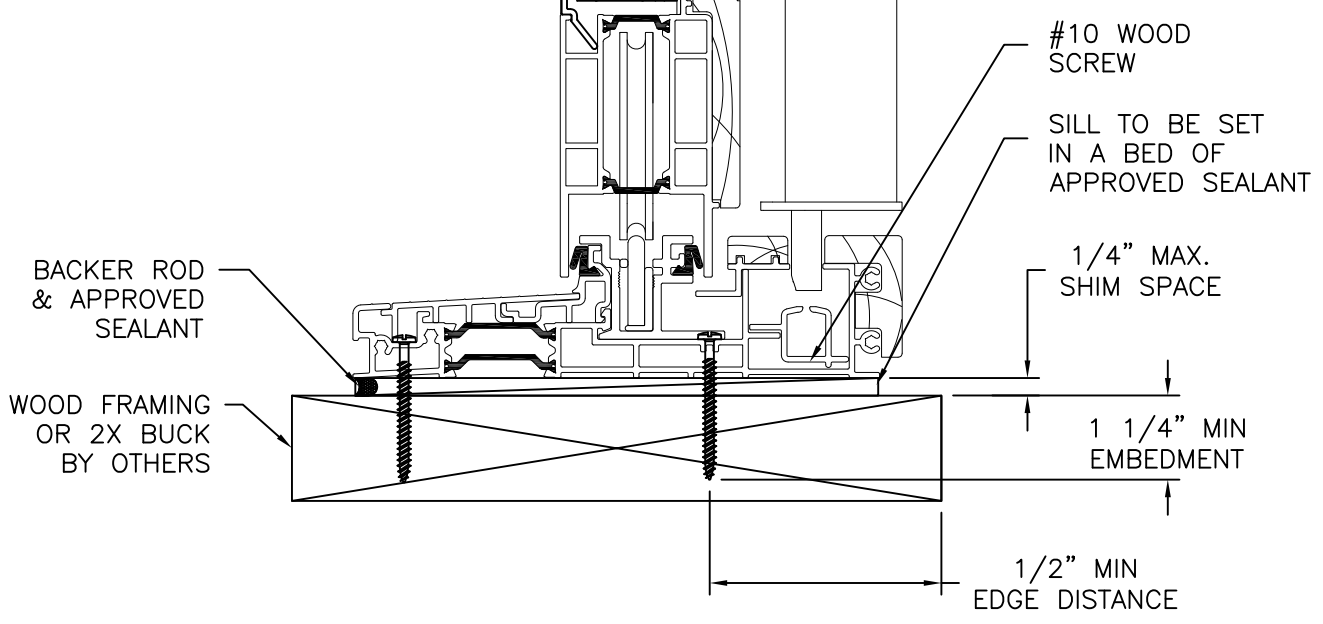
HARDWARE SCHEDULE

- | | |
|----|---|
| A. | LOCK WITH KEEPERS AT 30" AND 37 3/4" ABOVE SILL ON OPERABLE PANEL JAMB |
| B. | MAGNETIC KEEPERS AT 14 1/2", 54 1/4", 71 1/2" AND 89" ABOVE SILL ON OPERABLE PANEL JAMB |

REVISIONS			
REV	DESCRIPTION	DATE	APPROVED



JAMB INSTALLATION DETAIL
WOOD FRAMING OR 2X BUCK INSTALLATION



VERTICAL CROSS SECTION
WOOD FRAMING OR 2X BUCK INSTALLATION

- NOTES:**
1. INTERIOR AND EXTERIOR FINISHES, BY OTHERS, NOT SHOWN FOR CLARITY.
 2. PERIMETER AND JOINT SEALANT BY OTHERS TO BE DESIGNED IN ACCORDANCE WITH ASTM E2112

SIGNED: 03/21/2017

CENTOR NORTH AMERICA INC.
966-130 CORPORATE BLVD
AURORA, IL

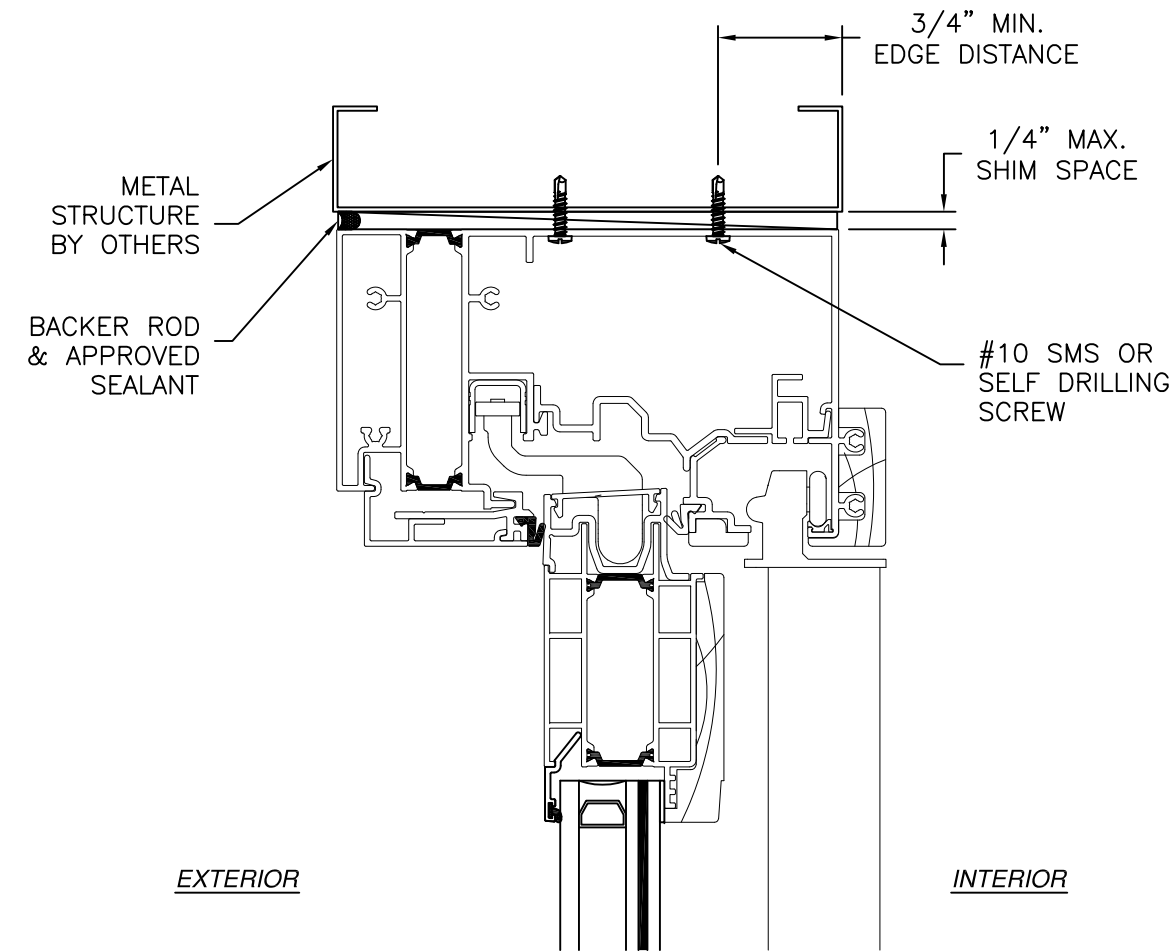
SERIES 211 IMPACT SLIDING GLASS DOOR XO
HVHZ 152" X 114"
INSTALLATION DETAILS

DRAWN: R.S.	DWG NO. 08-03063	REV -
SCALE NTS	DATE 03/09/2017	SHEET 3 OF 6

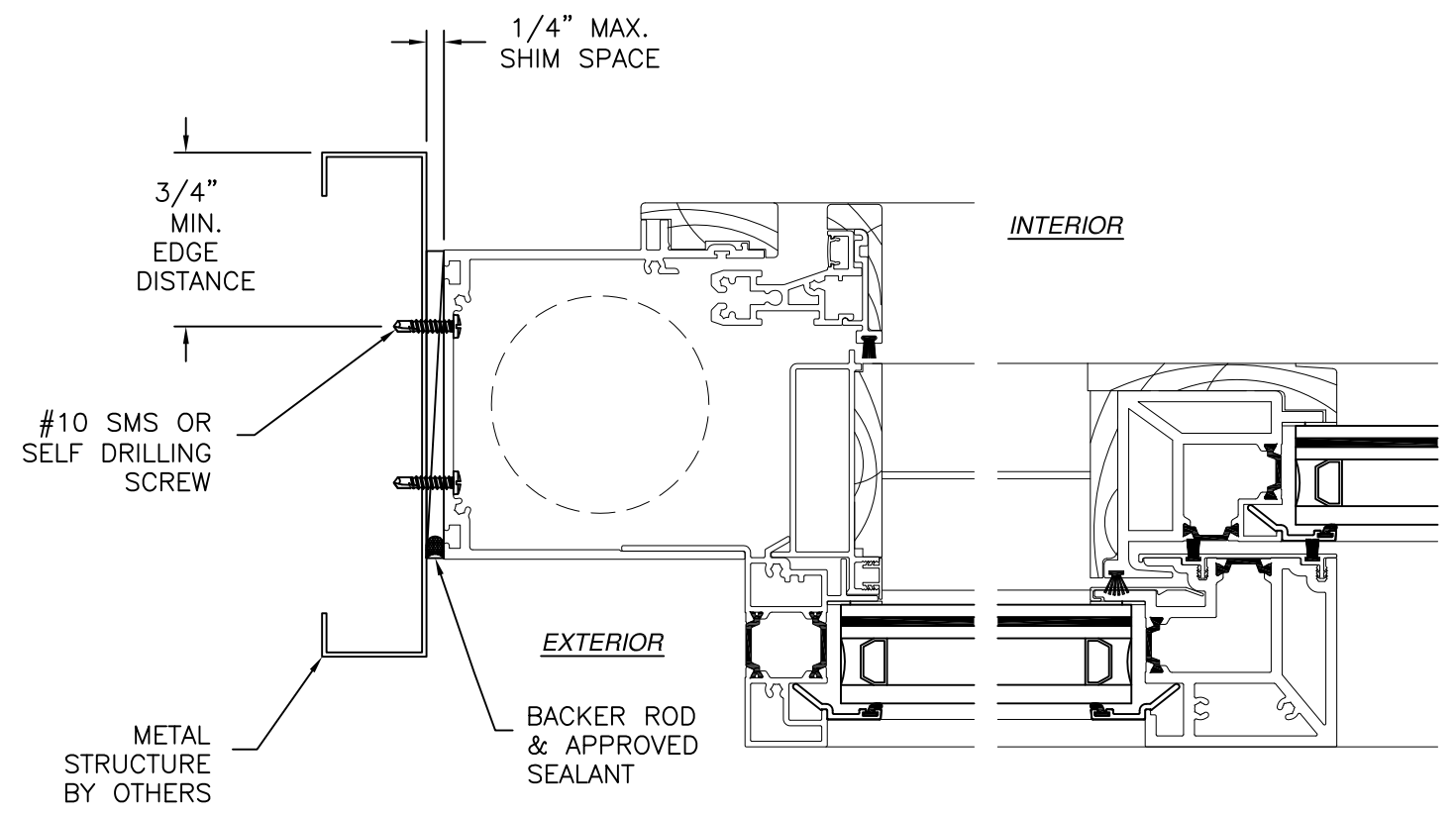
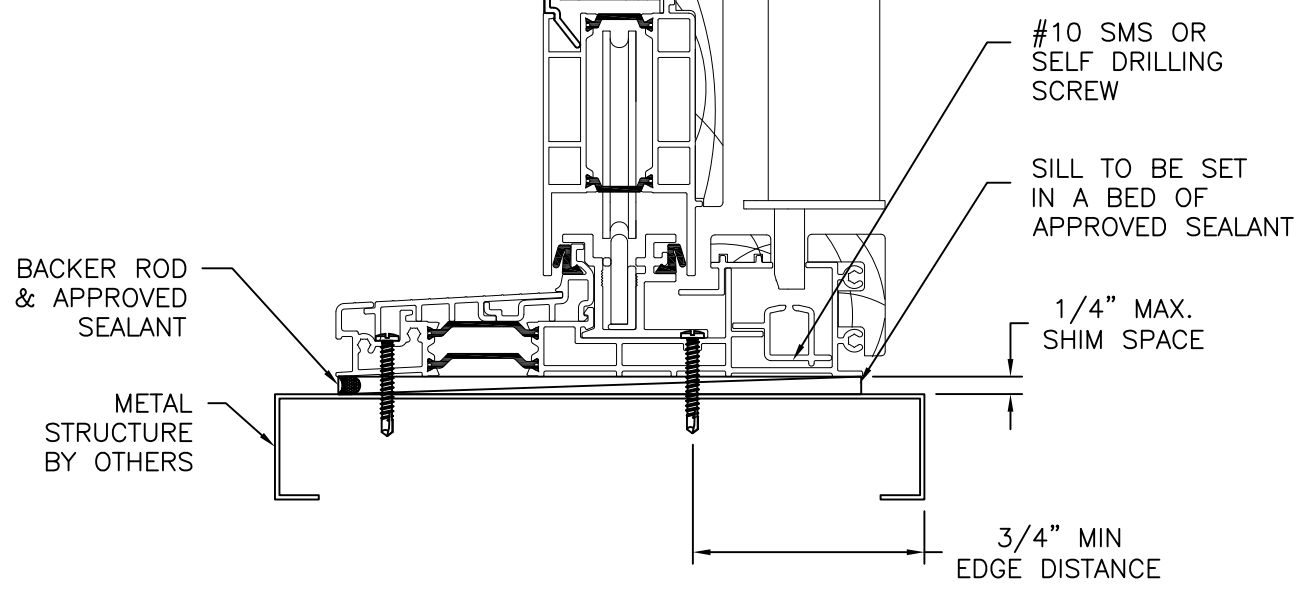
L. ROBERTO LOMAS P.E.
1432 WOODFORD RD LEWISVILLE, NC 27023
434-688-0609 rllomas@rlomaspe.com

Luis R. Lomas P.E.
FL No.: 62514

REVISIONS			
REV	DESCRIPTION	DATE	APPROVED



VERTICAL CROSS SECTION
METAL STRUCTURE INSTALLATION



JAMB INSTALLATION DETAIL
METAL STRUCTURE INSTALLATION

- NOTES:
1. INTERIOR AND EXTERIOR FINISHES, BY OTHERS, NOT SHOWN FOR CLARITY.
 2. PERIMETER AND JOINT SEALANT BY OTHERS TO BE DESIGNED IN ACCORDANCE WITH ASTM E2112

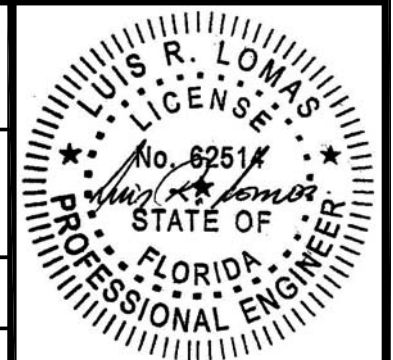
CENTOR NORTH AMERICA INC.
966-130 CORPORATE BLVD
AURORA, IL

SERIES 211 IMPACT SLIDING GLASS DOOR XO
HVHZ 152" X 114"
INSTALLATION DETAILS

DRAWN: R.S.	DWG NO. 08-03063	REV -
SCALE NTS	DATE 03/09/2017	SHEET 4 OF 6

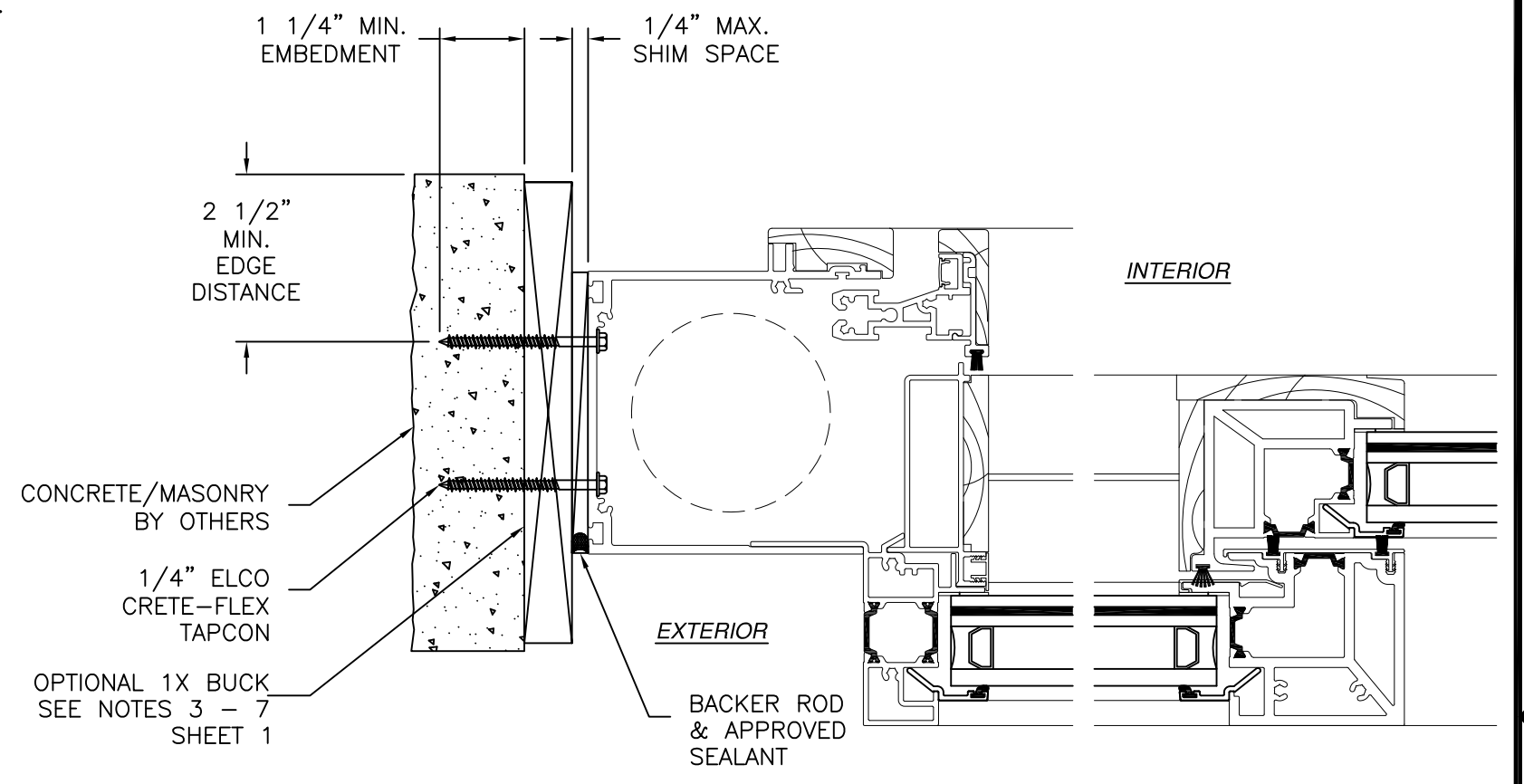
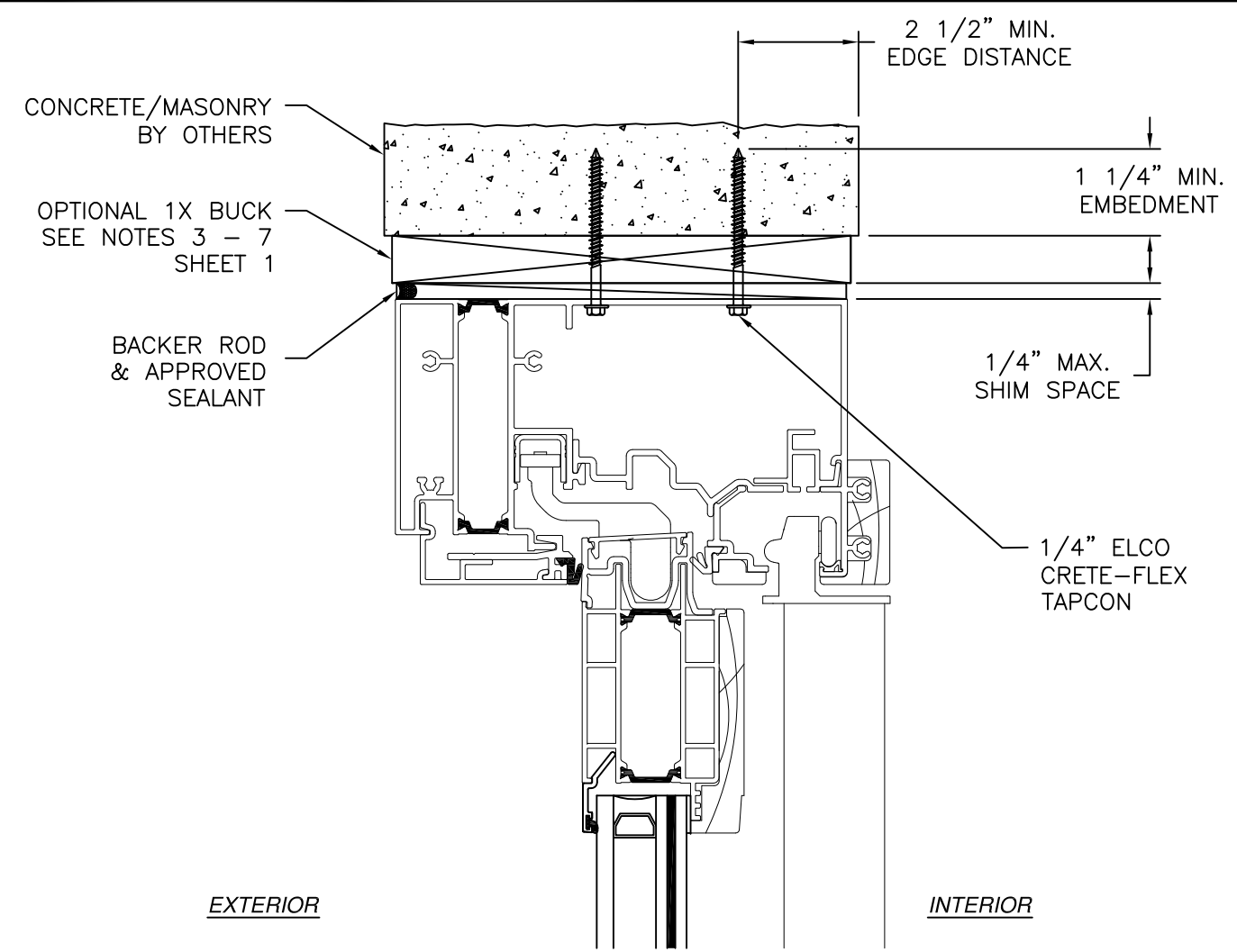
L. ROBERTO LOMAS P.E.
1432 WOODFORD RD LEWISVILLE, NC 27023
434-688-0609 rllomas@rlomaspe.com

SIGNED: 03/21/2017

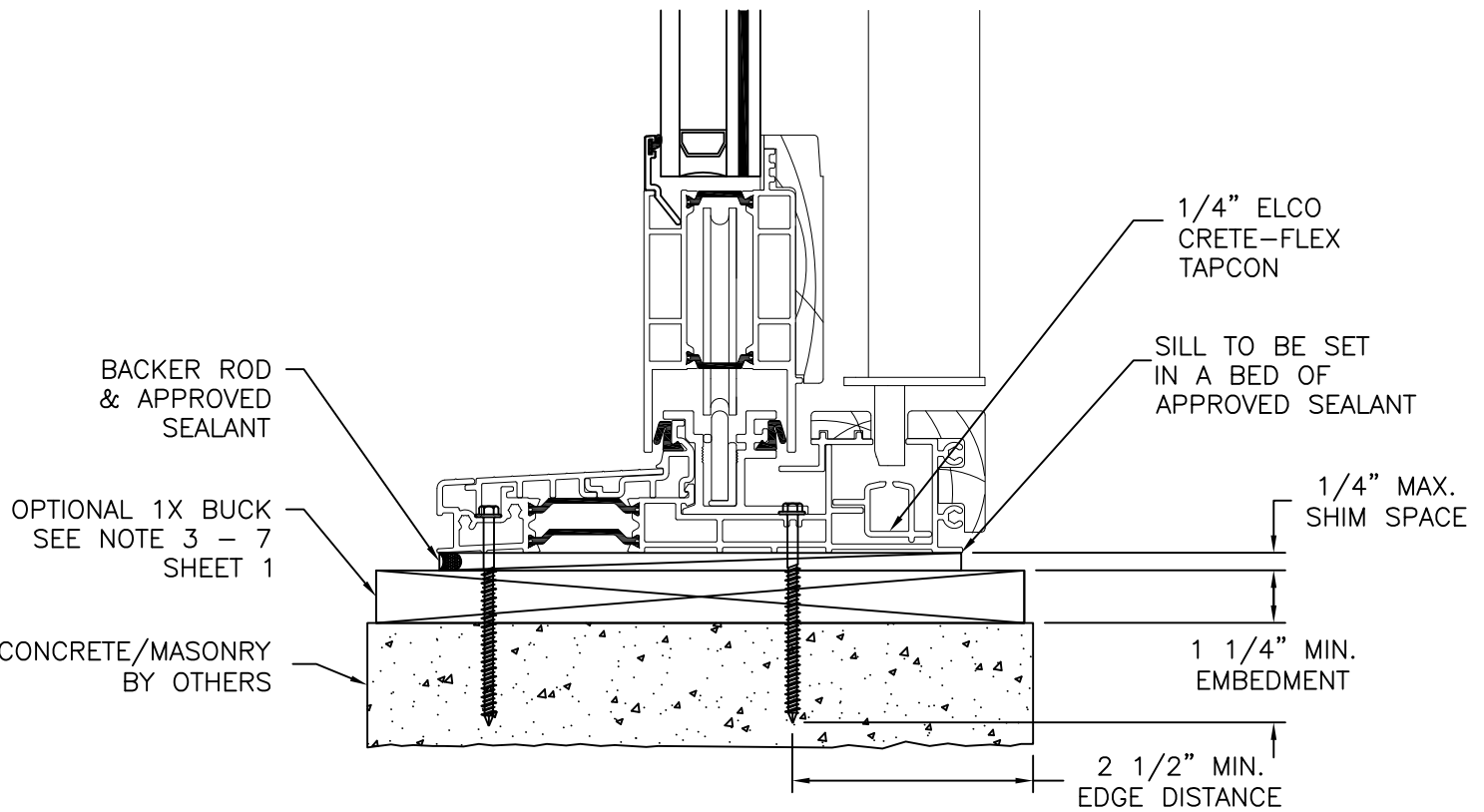


Luis R. Lomas P.E.
FL No.: 62514

REVISIONS			
REV	DESCRIPTION	DATE	APPROVED



JAMB INSTALLATION DETAIL
CONCRETE/MASONRY INSTALLATION



VERTICAL CROSS SECTION
CONCRETE/MASONRY INSTALLATION

- NOTES:**
- INTERIOR AND EXTERIOR FINISHES, BY OTHERS, NOT SHOWN FOR CLARITY.
 - PERIMETER AND JOINT SEALANT BY OTHERS TO BE DESIGNED IN ACCORDANCE WITH ASTM E2112

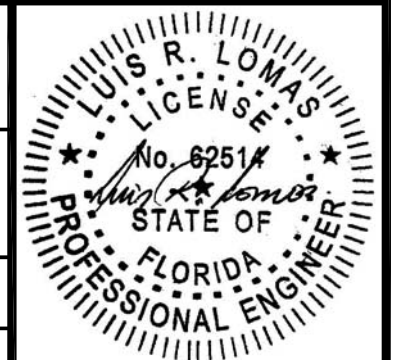
SIGNED: 03/21/2017

CENTOR NORTH AMERICA INC.
966-130 CORPORATE BLVD
AURORA, IL

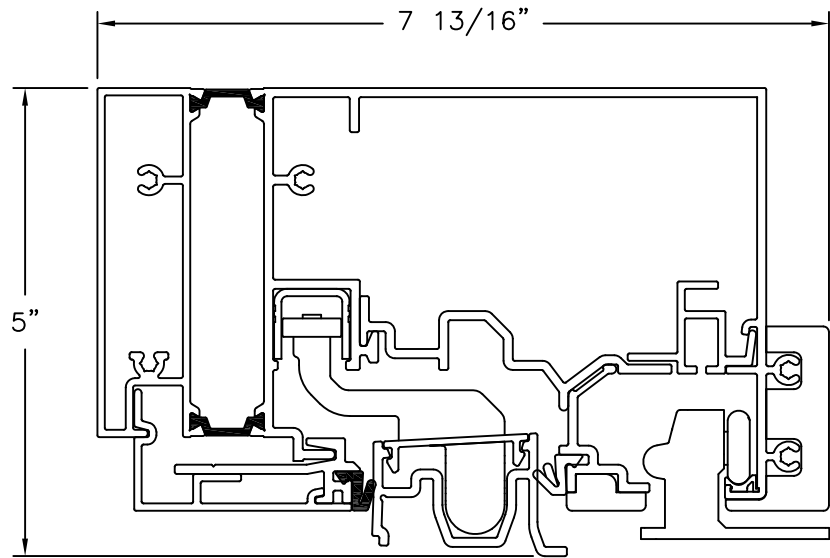
SERIES 211 IMPACT SLIDING GLASS DOOR XO
HVHZ 152" X 114"
INSTALLATION DETAILS

DRAWN: R.S.	DWG NO. 08-03063	REV -
SCALE NTS	DATE 03/09/2017	SHEET 5 OF 6

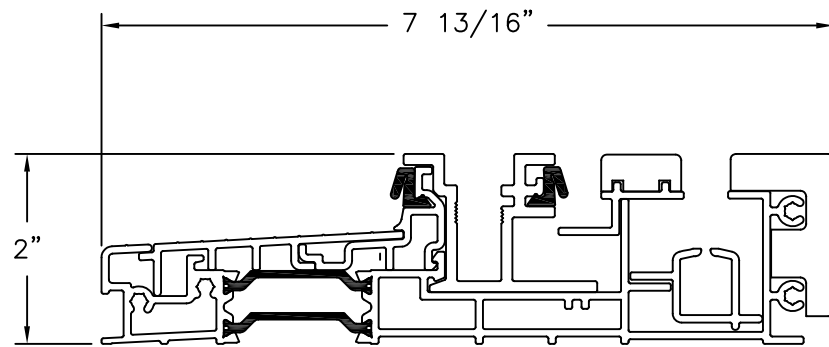
L. ROBERTO LOMAS P.E.
1432 WOODFORD RD LEWISVILLE, NC 27023
434-688-0609 rllomas@rlomaspe.com



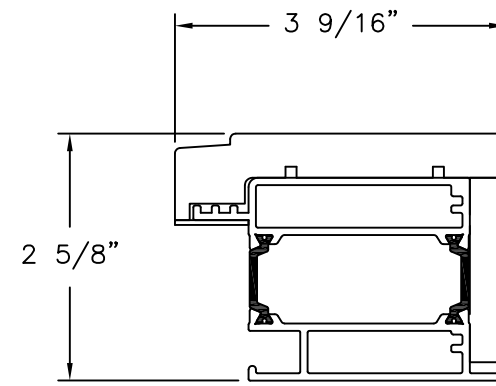
Luis R. Lomas P.E.
FL No.: 62514



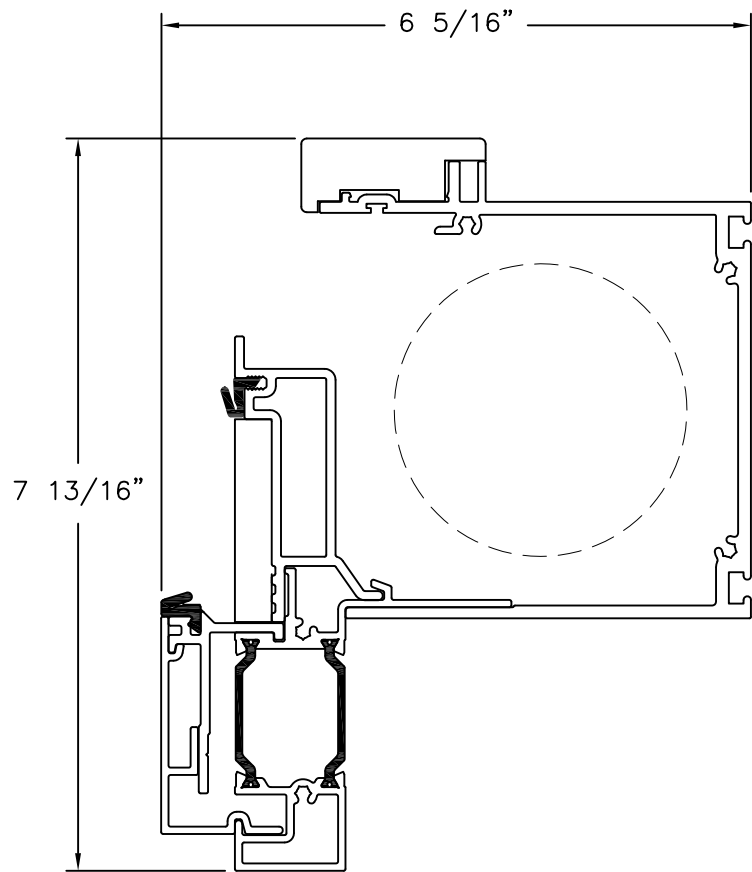
SLIDING HEAD ASSEMBLY
ALUMINUM 6063-T6 (.0984") THICK



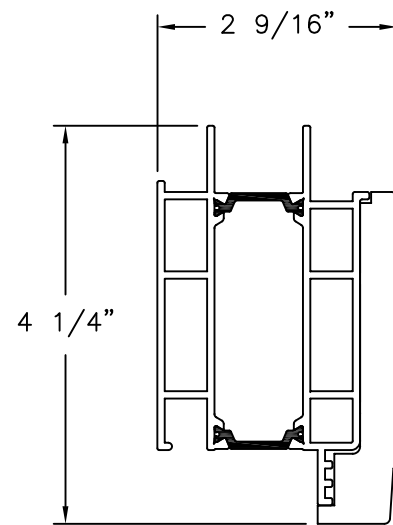
SLIDING SILL ASSEMBLY
ALUMINUM 6063-T6 (.0787") THICK



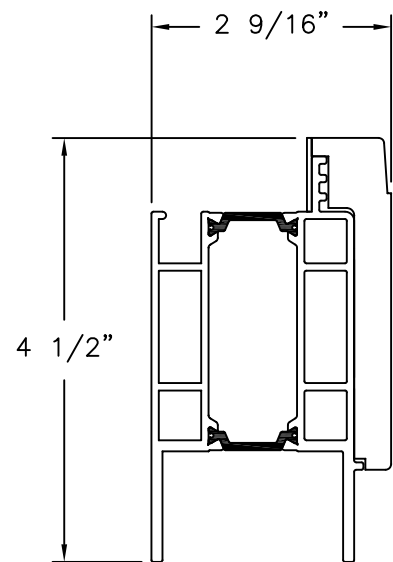
DOOR PANEL STILE
ALUMINUM 6063-T6 (.0787") THICK



SLIDING JAMB ASSEMBLY
ALUMINUM 6063-T6 (.0787") THICK



TOP RAIL
ALUMINUM 6063-T6 (.0787") THICK



BOTTOM RAIL
ALUMINUM 6063-T6 (.0787") THICK

REVISIONS			
REV	DESCRIPTION	DATE	APPROVED

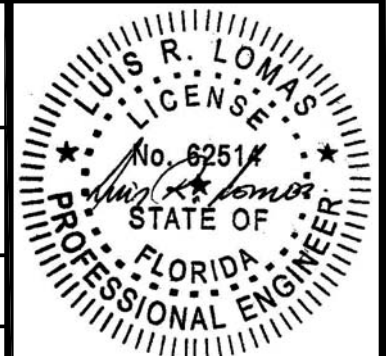
CENTOR NORTH AMERICA INC.
966-130 CORPORATE BLVD
AURORA, IL

SERIES 211 IMPACT SLIDING GLASS DOOR XO
HVHZ 152" X 114"
COMPONENTS

DRAWN: R.S.	DWG NO. 08-03063	REV -
SCALE NTS	DATE 03/09/2017	SHEET 6 OF 6

L. ROBERTO LOMAS P.E.
1432 WOODFORD RD LEWISVILLE, NC 27023
434-688-0609 rllomas@rlomaspe.com

SIGNED: 03/21/2017



Luis R. Lomas P.E.
FL No.: 62514