

REVISIONS			
REV	DESCRIPTION	DATE	APPROVED

NOTES:

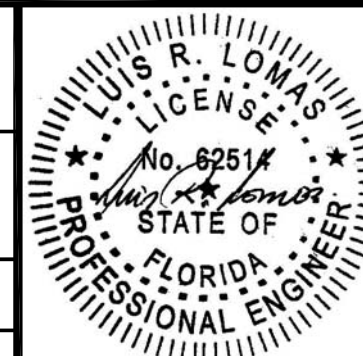
1. THE PRODUCT SHOWN HEREIN IS DESIGNED AND MANUFACTURED TO COMPLY WITH REQUIREMENTS OF THE FLORIDA BUILDING CODE INCLUDING THE HVHZ.
2. WOOD FRAMING AND MASONRY OPENING TO BE DESIGNED AND ANCHORED TO PROPERLY TRANSFER ALL LOADS TO STRUCTURE. FRAMING AND MASONRY OPENING IS THE RESPONSIBILITY OF THE ARCHITECT OR ENGINEER OF RECORD.
3. 1X BUCK OVER MASONRY/CONCRETE IS OPTIONAL.
4. WHERE SHIM OR BUCK THICKNESS IS LESS THAN 1-1/2" UNITS MUST BE ANCHORED THROUGH THE FRAME IN ACCORDANCE WITH MANUFACTURER'S PUBLISHED INSTALLATION INSTRUCTIONS. ANCHORS SHALL BE SECURELY FASTENED DIRECTLY INTO MASONRY, CONCRETE OR OTHER STRUCTURAL SUBSTRATE MATERIAL.
5. WHERE WOOD BUCK THICKNESS IS 1-1/2" OR GREATER, BUCK SHALL BE SECURELY FASTENED TO MASONRY, CONCRETE OR OTHER STRUCTURAL SUBSTRATE. UNITS MAY BE ANCHORED THROUGH FRAME TO SECURED WOOD BUCK IN ACCORDANCE WITH MANUFACTURER'S PUBLISHED INSTALLATION INSTRUCTIONS.
6. WHERE 1X BUCK IS NOT USED DISSIMILAR MATERIALS MUST BE SEPARATED WITH APPROVED COATING OR MEMBRANE. SELECTION OF COATING OR MEMBRANE IS THE RESPONSIBILITY OF THE ARCHITECT OR ENGINEER OF RECORD.
7. BUCKS SHALL EXTEND BEYOND UNIT FRAME INTERIOR FACE SO THAT FULL FRAME SUPPORT IS PROVIDED.
8. FOR FIN INSTALLATION SHIM AS NEEDED. FOR FRAME INSTALLATION SHIM AS REQUIRED AT EACH ANCHOR LOCATION WITH LOAD BEARING SHIM. SHIM WHERE SPACE OF 1/16" OR GREATER OCCURS. MAXIMUM ALLOWABLE SHIM STACK TO BE 1/4".
9. SHIMS SHALL BE LOCATED, APPLIED AND MADE FROM MATERIALS AND THICKNESS CAPABLE OF SUSTAINING APPLICABLE LOADS.
10. WIND LOAD DURATION FACTOR Cd=1.6 WAS USED FOR WOOD ANCHOR CALCULATIONS.
11. FRAME MATERIAL: EXTRUDED ALUMINUM 6063-T6.
12. UNITS MUST BE GLAZED PER ASTM E1300-04/09, SEE SHEET 3 FOR GLASS DETAILS.
13. APPROVED IMPACT PROTECTIVE SYSTEM IS NOT REQUIRED FOR THIS PRODUCT IN WIND BORNE DEBRIS REGIONS.
14. FOR ANCHORING THROUGH FRAME INTO WOOD FRAMING OR 2X BUCK USE #12 WOOD SCREWS WITH SUFFICIENT LENGTH TO ACHIEVE A 1 1/4" MINIMUM EMBEDMENT INTO SUBSTRATE. LOCATE ANCHORS AS SHOWN IN ELEVATIONS AND INSTALLATION DETAILS.

15. FOR ANCHORING THROUGH FRAME INTO MASONRY/CONCRETE USE 1/4" ELCO CRETE-FLEX TAPCONS WITH SUFFICIENT LENGTH TO ACHIEVE A 1 1/4" MINIMUM EMBEDMENT INTO SUBSTRATE WITH 2 1/2" MINIMUM EDGE DISTANCE. LOCATE ANCHORS AS SHOWN IN ELEVATIONS AND INSTALLATION DETAILS.
16. FOR ANCHORING THROUGH FRAME INTO METAL STRUCTURE USE #12 SMS OR SELF DRILLING SCREWS WITH SUFFICIENT LENGTH TO ACHIEVE 3 THREADS MINIMUM BEYOND STRUCTURE INTERIOR WALL. LOCATE ANCHORS AS SHOWN IN ELEVATIONS AND INSTALLATION DETAILS.
17. ALL FASTENERS TO BE CORROSION RESISTANT.
18. INSTALLATION ANCHORS SHALL BE INSTALLED IN ACCORDANCE WITH ANCHOR MANUFACTURER'S INSTALLATION INSTRUCTIONS AND ANCHORS SHALL NOT BE USED IN SUBSTRATES WITH STRENGTHS LESS THAN THE MINIMUM STRENGTH SPECIFIED BELOW:
  - A. WOOD: MINIMUM SPECIFIC GRAVITY OF G=0.42
  - B. CONCRETE: MINIMUM COMPRESSIVE STRENGTH OF 2,000 PSI.
  - C. MASONRY: HOLLOW/FILLED BLOCK PER ASTM C90 WITH Fm=2,000PSI MINIMUM.
  - D. METAL STRUCTURE: STEEL 18GA (.048") FY=33KSI/FU=52KSI OR ALUMINUM 6063-T5 FU=30KSI .048" THICK MINIMUM

SIGNED: 10/24/2017

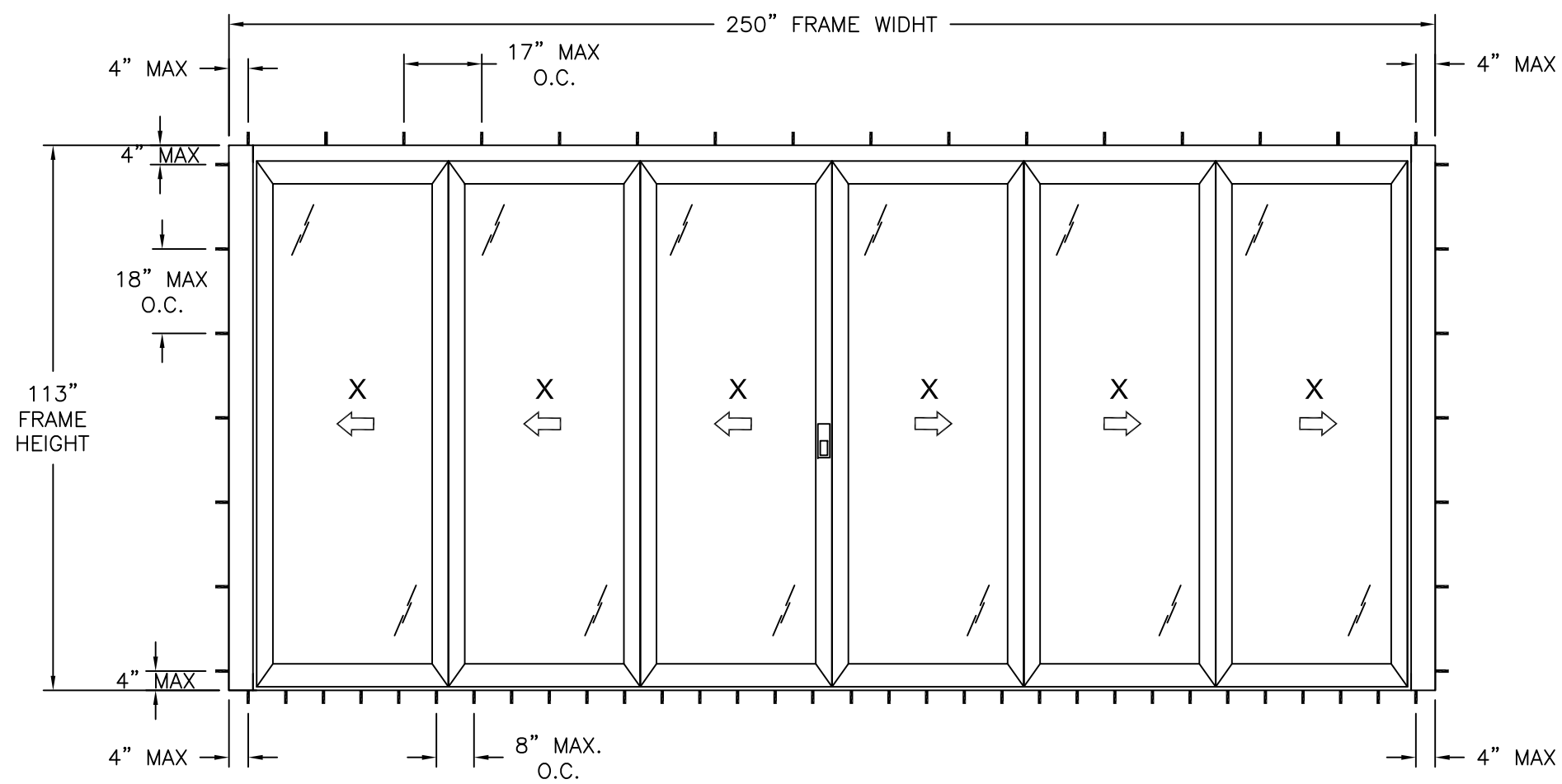
TABLE OF CONTENTS	
SHEET NO.	DESCRIPTION
1	NOTES
2	ELEVATION
3	DESIGN PRESSURE CHARTS AND GLAZING DETAIL
4	CROSS SECTIONS
5 - 7	INSTALLATION DETAILS
8 - 9	COMPONENTS

<b>CENTOR NORTH AMERICA INC.</b> 966-130 CORPORATE BLVD. AURORA, IL 60502		
200 SERIES/MODEL 205 FOLDING OUTWARD OPENING DOOR WITH WOOD TRIM - IMPACT NOTES		
DRAWN: A.R.	DWG NO. 08-03190	REV -
SCALE NTS	DATE 10/23/17	SHEET 1 OF 9
<small>L. ROBERTO LOMAS P.E.          1432 WOODFORD RD LEWISVILLE, NC 27023          434-688-0609 rllomas@rlomaspe.com</small>		



Luis R. Lomas P.E.  
FL No.: 62514

REVISIONS			
REV	DESCRIPTION	DATE	APPROVED



**200 SERIES/MODEL 205 FOLDING OUTWARD DOOR**

EXTERIOR VIEW

UNLIMITED NUMBER OF PANELS IN UNLIMITED CONFIGURATIONS ARE APPROVED AS LONG AS INDIVIDUAL PANEL AREA DOES NOT EXCEED 30.08 FT<sup>2</sup> AND USES VERTICAL CONDITIONS AS SHOWN IN APPROVAL DRAWING, AND MAXIMUM FRAME AREA DOES NOT EXCEED 294.27FT<sup>2</sup>

DESIGN PRESSURE RATING	IMPACT RATING
±55.0PSF	LARGE AND SMALL MISSILE IMPACT

MISSILE LEVEL D, WIND ZONE 4, AND HVHZ  
WHERE WATER RESISTANCE IS REQUIRED  
SEE CHART #1, SHEET 3

DESIGN PRESSURE RATING	IMPACT RATING
±55.0PSF	LARGE AND SMALL MISSILE IMPACT

MISSILE LEVEL D, WIND ZONE 4, AND HVHZ  
WHERE WATER RESISTANCE IS NOT REQUIRED  
SEE CHART #2, SHEET 3

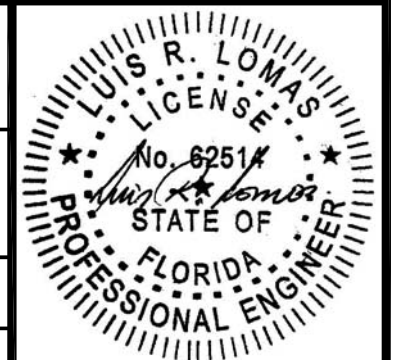
- NOTES:  
1. PANEL SIZE: 39 3/4" x 109"  
2. D.L.O.: 33" x 99 1/2"

**HARDWARE SCHEDULE**

A.	(6) CONCEALED HINGES, 7 1/4" FROM TOP AND BOTTOM AND 7 1/4" MAX O.C.
B.	(2) INTERMEDIATE CARRIER AT TOP OF CENTER PANEL OF EACH SIDE
C.	(2) CENTER INTERMEDIATE HINGE, LOCATED BETWEEN TOP CARRIER AND BOTTOM GUIDE
D.	(8) COVER PLATES AT TOP CARRIER AND BOTTOM GUIDE
E.	(2) TOP PIVOT HINGE AND (2) BOTTOM PIVOT HINGE AT LEFT AND RIGHT SIDE OF JAMBS
F.	(1) EXTERNAL CYLINDER AND INTERNAL SNIB, 32" FROM SILL WITH KEEPER SYSTEM
G.	(1) AUTO LATCH LOCKS, 32" FROM SILL AT TOP AND BOTTOM LEFT CORNERS OF INTERMEDIATE PANELS
H.	(1) ALUMINUM REINFORCEMENT BAR AT JAMB STILE

SIGNED: 10/24/2017

<b>CENTOR NORTH AMERICA INC.</b> 966-130 CORPORATE BLVD. AURORA, IL 60502		
200 SERIES/MODEL 205 FOLDING OUTWARD OPENING DOOR WITH WOOD TRIM - IMPACT ELEVATION		
DRAWN: A.R.	DWG NO. 08-03190	REV -
SCALE NTS	DATE 10/23/17	SHEET 2 OF 9
L. ROBERTO LOMAS P.E. 1432 WOODFORD RD LEWISVILLE, NC 27023 434-688-0609 rllomas@rlomaspe.com		



Luis R. Lomas P.E.  
FL No.: 62514

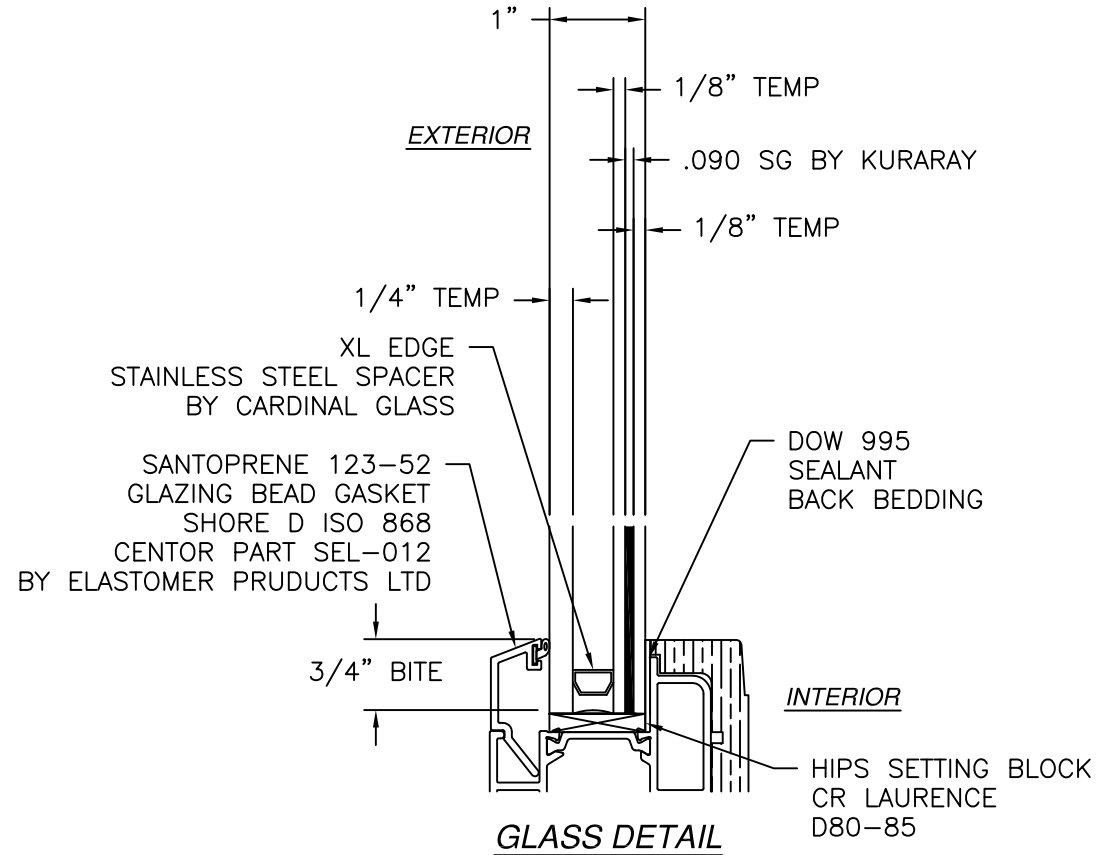
REVISIONS			
REV	DESCRIPTION	DATE	APPROVED

**CHART #1, WHERE WATER RESISTANCE IS REQUIRED**

Panel Height (in)	Maximum Design pressure (psf)											
	Single Panel Width (in)											
	24.0		30.0		36.0		39.75		42.0		48.0	
	Pos	Neg	Pos	Neg	Pos	Neg	Pos	Neg	Pos	Neg	Pos	Neg
78.0	55.7	82.5	55.7	82.5	55.7	82.5	55.7	76.9	55.7	72.7	55.7	63.6
84.0	55.7	82.5	55.7	82.5	55.7	78.8	55.7	71.4	55.7	67.5	55.7	59.1
90.0	55.7	82.5	55.7	82.5	55.7	73.5	55.7	66.6	55.7	63.0	55.2	55.2
96.0	55.7	82.5	55.7	80.2	55.7	69.0	55.7	62.4	55.7	59.1	-	-
102.0	55.7	82.5	55.7	74.7	55.7	64.4	55.7	58.8	55.6	55.6	-	-
109.0	55.7	82.5	55.7	69.1	55.7	59.5	55.0	55.0	-	-	-	-
114.0	55.7	76.8	55.7	62.1	52.4	52.4	-	-	-	-	-	-
120.0	55.7	65.7	53.1	53.1	44.7	44.7	-	-	-	-	-	-
126.0	55.7	56.7	45.7	45.7	-	-	-	-	-	-	-	-
132.0	49.2	49.2	39.7	39.7	-	-	-	-	-	-	-	-
138.0	43.1	43.1	34.7	34.7	-	-	-	-	-	-	-	-
144.0	37.9	37.9	30.5	30.5	-	-	-	-	-	-	-	-

**CHART #2, WHERE WATER RESISTANCE IS NOT REQUIRED**

Panel Height (in)	Maximum Design pressure (psf)											
	Single Panel Width (in)											
	24.0		30.0		36.0		39.75		42.0		48.0	
	Pos	Neg	Pos	Neg	Pos	Neg	Pos	Neg	Pos	Neg	Pos	Neg
78.0	82.5	82.5	82.5	82.5	82.5	82.5	76.9	76.9	72.7	72.7	63.6	63.6
84.0	82.5	82.5	82.5	82.5	78.8	78.8	71.4	71.4	67.5	67.5	59.1	59.1
90.0	82.5	82.5	82.5	82.5	73.5	73.5	66.6	66.6	63.0	63.0	55.2	55.2
96.0	82.5	82.5	80.2	80.2	69.0	69.0	62.4	62.4	59.1	59.1	-	-
102.0	82.5	82.5	74.7	74.7	64.4	64.4	58.8	58.8	55.6	55.6	-	-
109.0	82.5	82.5	69.1	69.1	59.5	59.5	55.0	55.0	-	-	-	-
114.0	76.8	76.8	62.1	62.1	52.4	52.4	-	-	-	-	-	-
120.0	65.7	65.7	53.1	53.1	44.7	44.7	-	-	-	-	-	-
126.0	56.7	56.7	45.7	45.7	-	-	-	-	-	-	-	-
132.0	49.2	49.2	39.7	39.7	-	-	-	-	-	-	-	-
138.0	43.1	43.1	34.7	34.7	-	-	-	-	-	-	-	-
144.0	37.9	37.9	30.5	30.5	-	-	-	-	-	-	-	-



SIGNED: 10/24/2017

**CENTOR NORTH AMERICA INC.**  
966-130 CORPORATE BLVD.  
AURORA, IL 60502

---

200 SERIES/MODEL 205 FOLDING OUTWARD  
OPENING DOOR WITH WOOD TRIM - IMPACT  
DESIGN PRESSURE CHARTS & GLAZING DETAIL

DRAWN: A.R.	DWG NO. 08-03190	REV -
SCALE NTS	DATE 10/23/17	SHEET 3 OF 9

L. ROBERTO LOMAS P.E.  
1432 WOODFORD RD LEWISVILLE, NC 27023  
434-688-0609 rllomas@rlomaspe.com

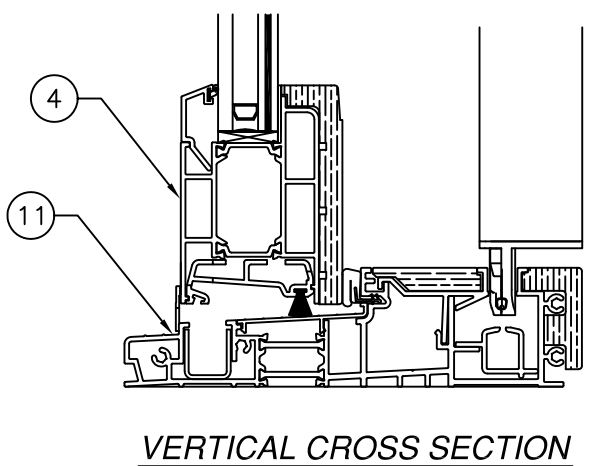
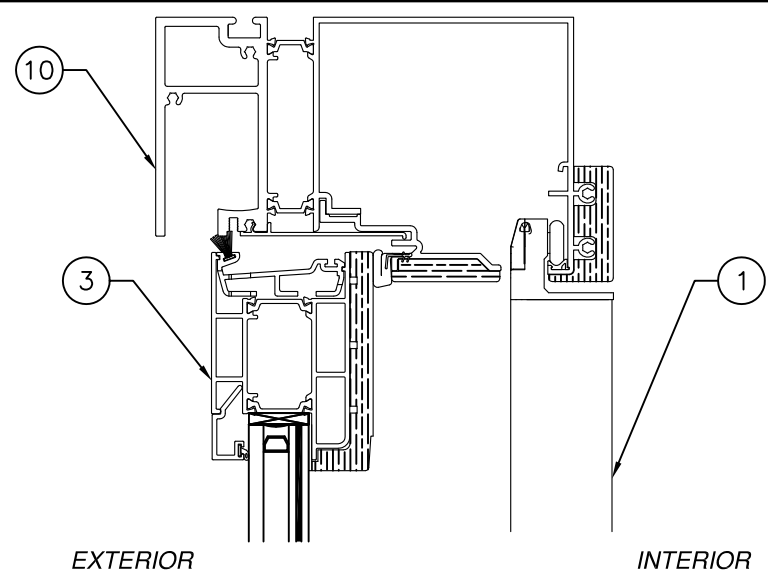


Luis R. Lomas P.E.  
FL No.: 62514

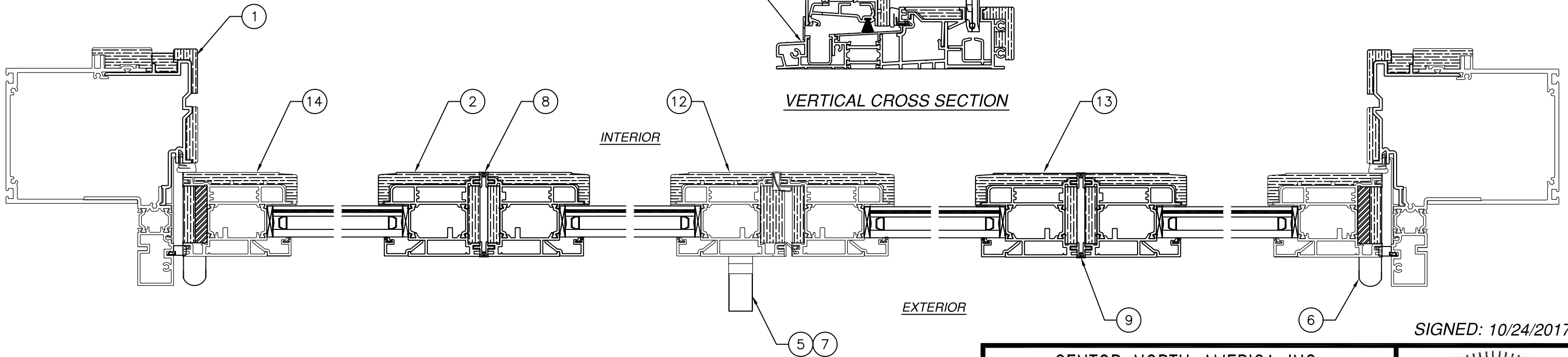
BILL OF MATERIALS				
ITEM NO.:	PART NUMBER	DESCRIPTION	MANUFACTURER	MATERIAL
1	ASSY-0713	INOPERABLE JAMB	CENTOR	
2	ASSY-0813	DOOR PANEL STILE	CENTOR	
3	ASSY-0816	TOP RAIL	CENTOR	
4	ASSY-0817	BOTTOM RAIL	CENTOR	
5	ASSY-0814	ENTRANCE HANDLE	CENTOR	
6	ASSY-0813	PIVOT SET	CENTOR	
7	ASSY-0814	ENTRANCE LOCK	CENTOR	
8	ASSY-0560	CONCEALED HINGE	CENTOR	
9	ASSY-0813	INTERMEDIATE SET	CENTOR	
10	ASSY-0637	HEAD	CENTOR	
11	ASSY-0571	SILL	CENTOR	
12	ASSY-0814	STILE ACTIVE	CENTOR	
13	ASSY-0815	STILE PASSIVE	CENTOR	
14	ASSY-0807	JAMB STILE	CENTOR	
15	ASSY-0618	INTERMEDIATE CARRIER	CENTOR	
16	ASSY-0620	INTERMEDIATE HINGE	CENTOR	
17	ASSY-0331	TOP PIVOT	CENTOR	
18	ASSY-0332	END CARRIER	CENTOR	
19	ASSY-0626	BOTTOM GUIDE JAMB	CENTOR	
20	ASSY-0565	BOTTOM LEFT PIVOT	CENTOR	
21	ASSY-0619	INTERMEDIATE GUIDE	CENTOR	

NOTE:  
1. ITEMS 15 THROUGH 21 ARE USED BUT NOT SHOWN, SEE SHEET 9 FOR DETAILS.

REVISIONS			
REV	DESCRIPTION	DATE	APPROVED



VERTICAL CROSS SECTION



HORIZONTAL CROSS SECTION

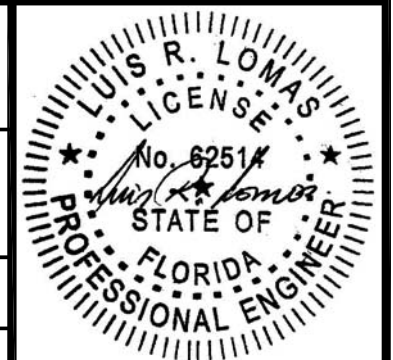
SIGNED: 10/24/2017

**CENTOR NORTH AMERICA INC.**  
966-130 CORPORATE BLVD.  
AURORA, IL 60502

200 SERIES/MODEL 205 FOLDING OUTWARD  
OPENING DOOR WITH WOOD TRIM - IMPACT  
CROSS SECTIONS

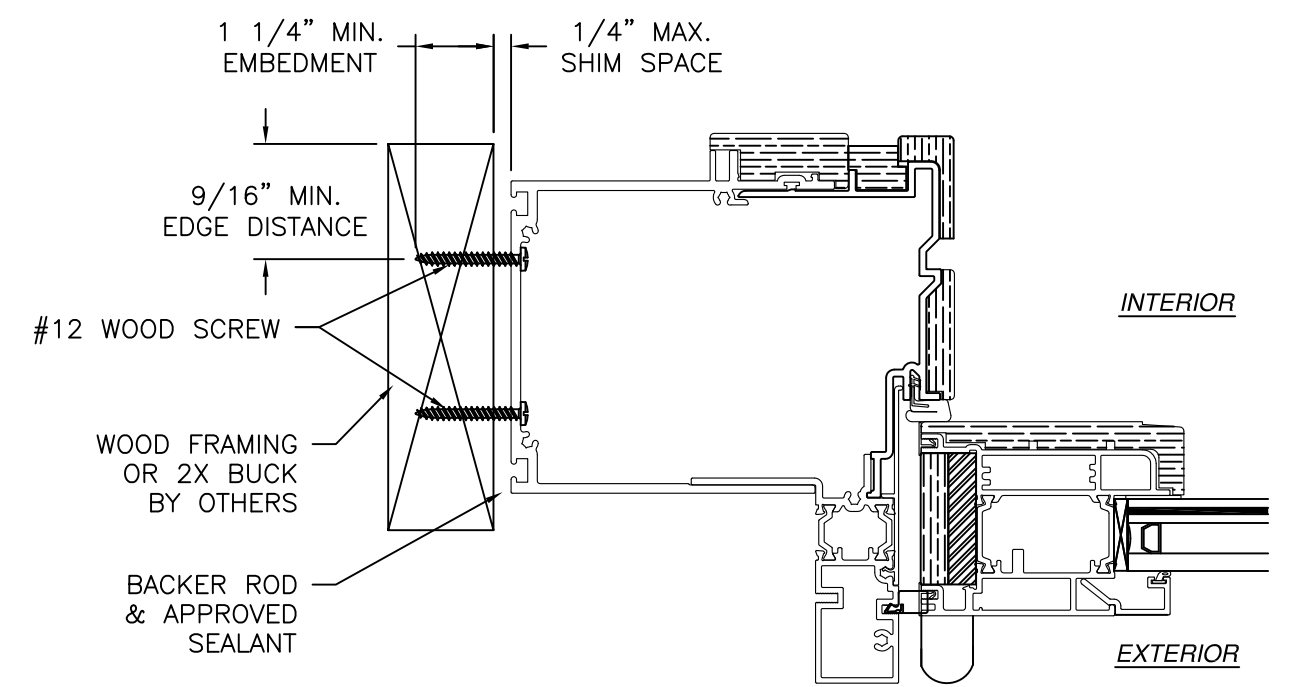
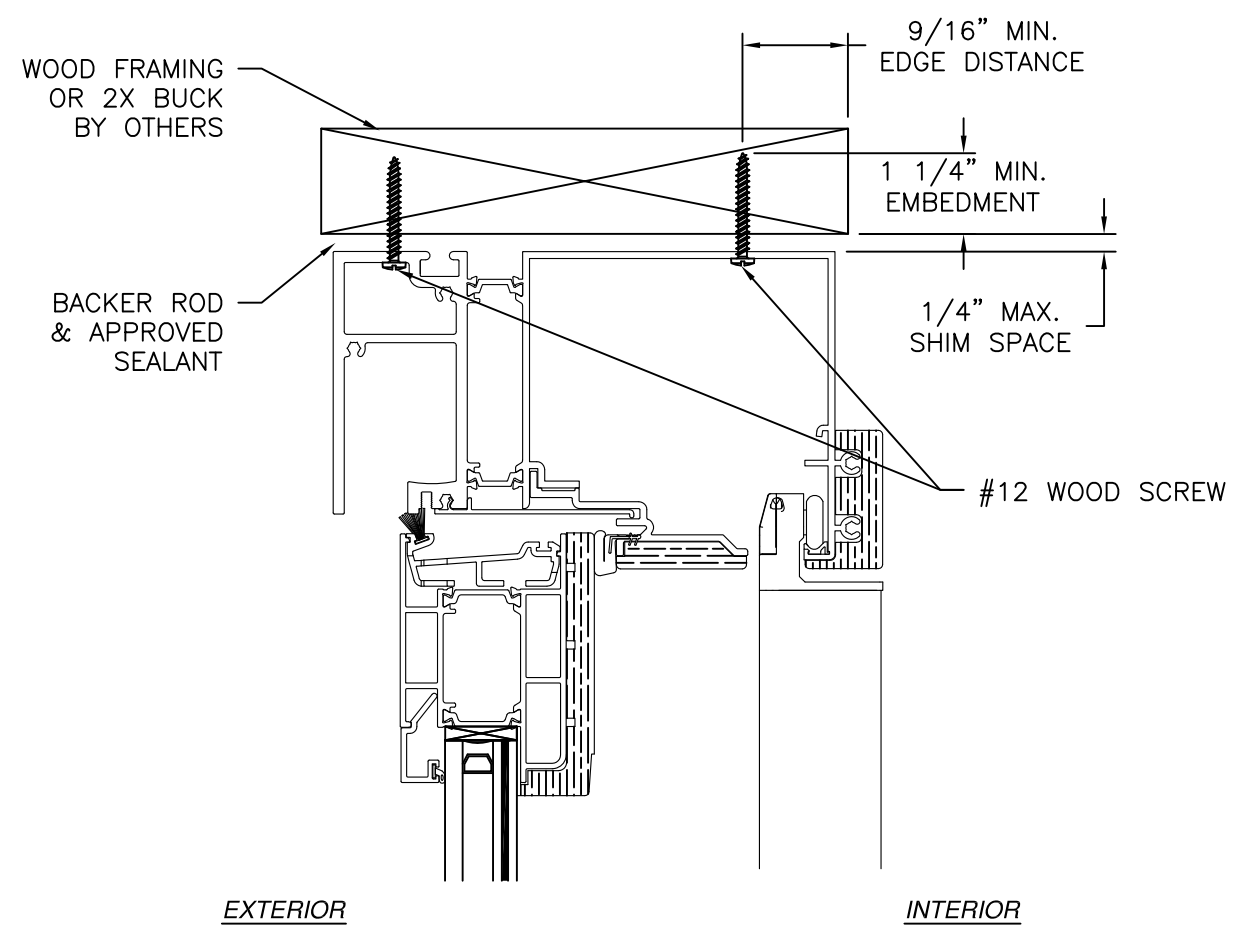
DRAWN: A.R.	DWG NO. 08-03190	REV -
SCALE NTS	DATE 10/23/17	SHEET 4 OF 9

L. ROBERTO LOMAS P.E.  
1432 WOODFORD RD LEWISVILLE, NC 27023  
434-688-0609 rllomas@rlomaspe.com

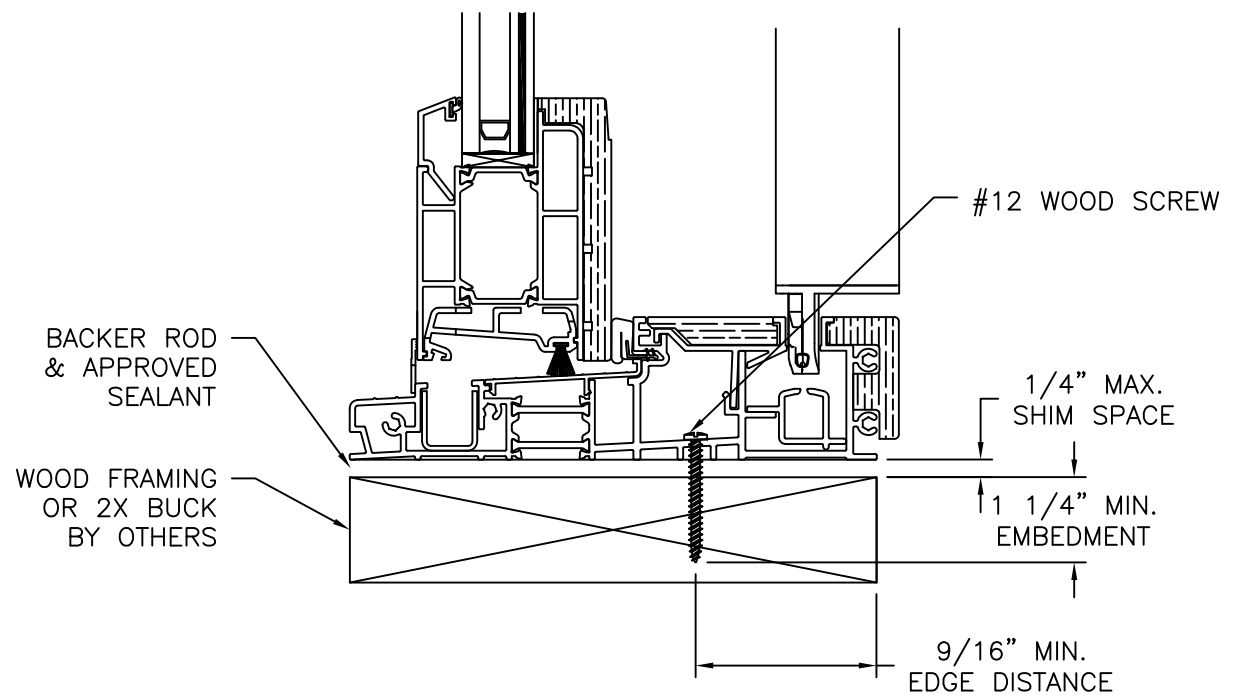


Luis R. Lomas P.E.  
FL No.: 62514

REVISIONS			
REV	DESCRIPTION	DATE	APPROVED



**JAMB INSTALLATION DETAIL**  
WOOD FRAMING OR 2X BUCK INSTALLATION



**VERTICAL CROSS SECTION**  
WOOD FRAMING OR 2X BUCK INSTALLATION

- NOTES:
1. INTERIOR AND EXTERIOR FINISHES, BY OTHERS, NOT SHOWN FOR CLARITY.
  2. PERIMETER AND JOINT SEALANT BY OTHERS TO BE DESIGNED IN ACCORDANCE WITH ASTM E2112

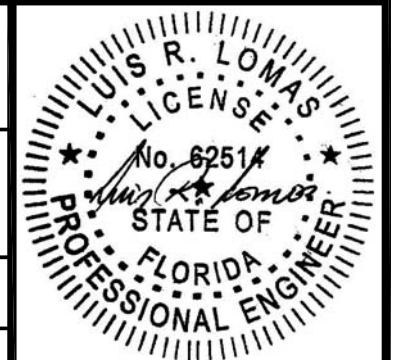
SIGNED: 10/24/2017

**CENTOR NORTH AMERICA INC.**  
966-130 CORPORATE BLVD.  
AURORA, IL 60502

200 SERIES/MODEL 205 FOLDING OUTWARD  
OPENING DOOR WITH WOOD TRIM - IMPACT  
INSTALLATION DETAILS

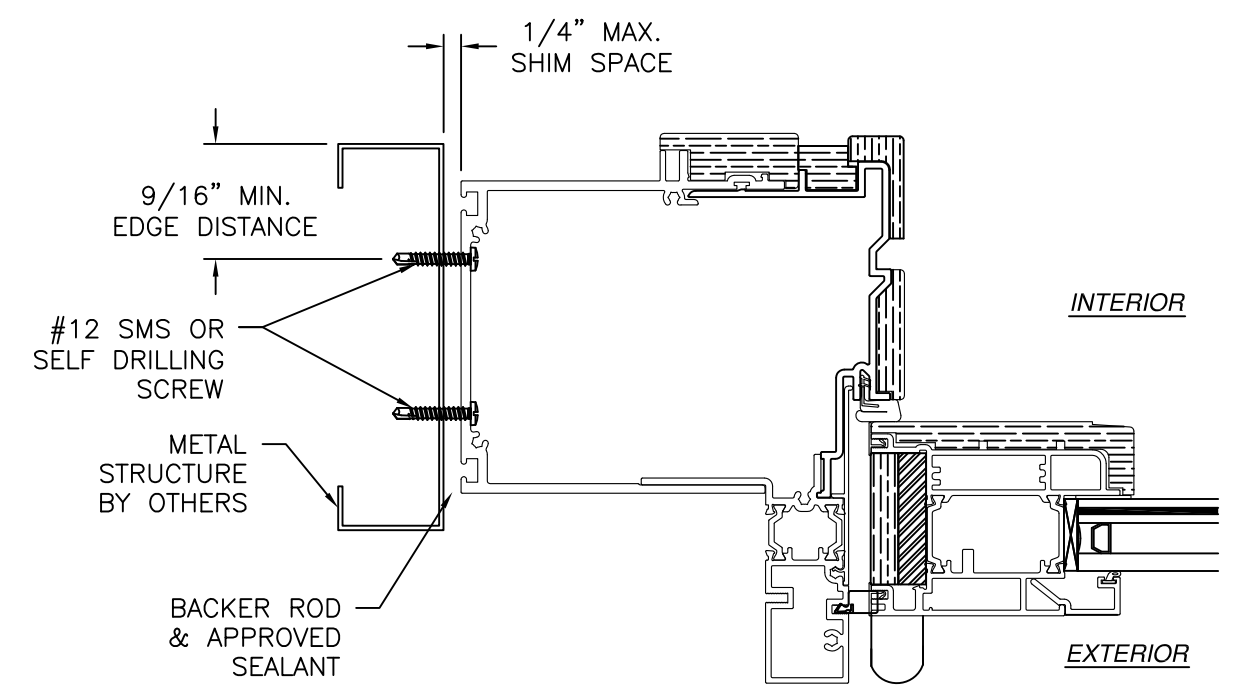
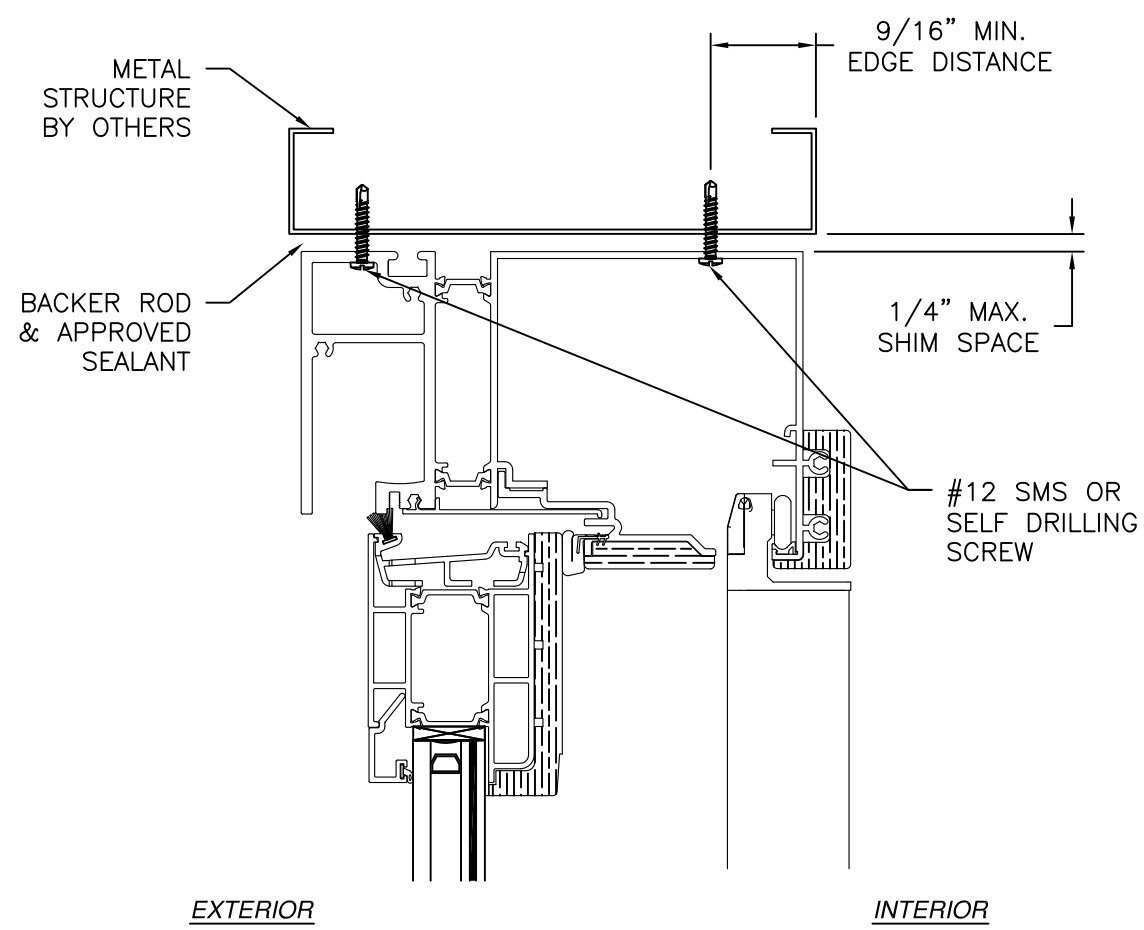
DRAWN: A.R.	DWG NO. 08-03190	REV -
SCALE NTS	DATE 10/23/17	SHEET 5 OF 9

L. ROBERTO LOMAS P.E.  
1432 WOODFORD RD LEWISVILLE, NC 27023  
434-688-0609 rllomas@rlomaspe.com

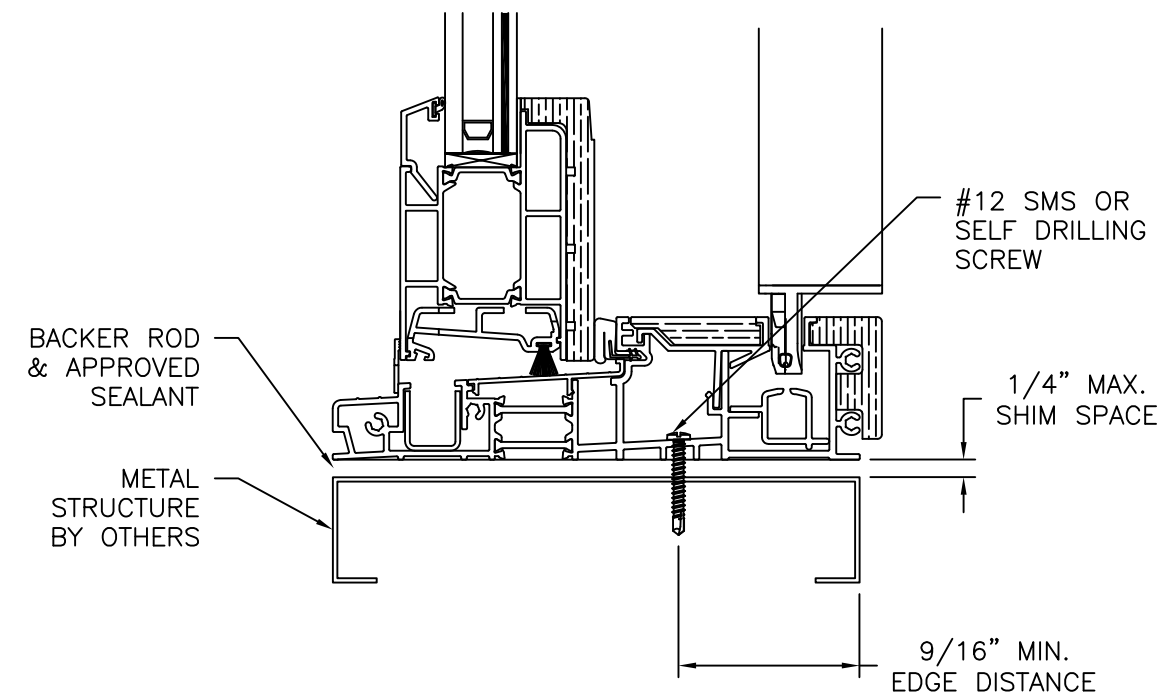


Luis R. Lomas P.E.  
FL No.: 62514

REVISIONS			
REV	DESCRIPTION	DATE	APPROVED



**JAMB INSTALLATION DETAIL**  
METAL STRUCTURE INSTALLATION



**VERTICAL CROSS SECTION**  
METAL STRUCTURE INSTALLATION

- NOTES:
1. INTERIOR AND EXTERIOR FINISHES, BY OTHERS, NOT SHOWN FOR CLARITY.
  2. PERIMETER AND JOINT SEALANT BY OTHERS TO BE DESIGNED IN ACCORDANCE WITH ASTM E2112

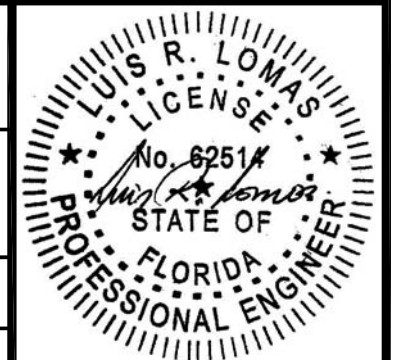
SIGNED: 10/24/2017

**CENTOR NORTH AMERICA INC.**  
966-130 CORPORATE BLVD.  
AURORA, IL 60502

200 SERIES/MODEL 205 FOLDING OUTWARD  
OPENING DOOR WITH WOOD TRIM - IMPACT  
INSTALLATION DETAILS

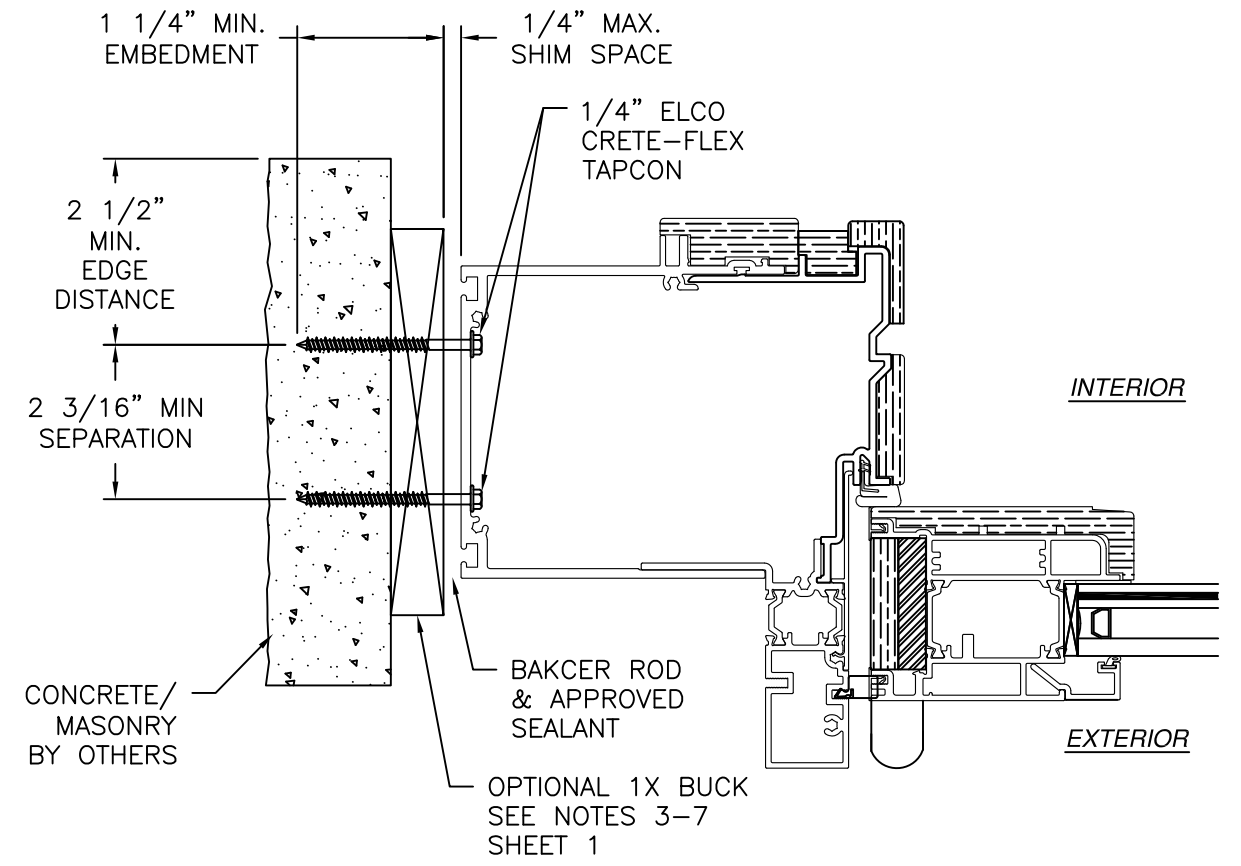
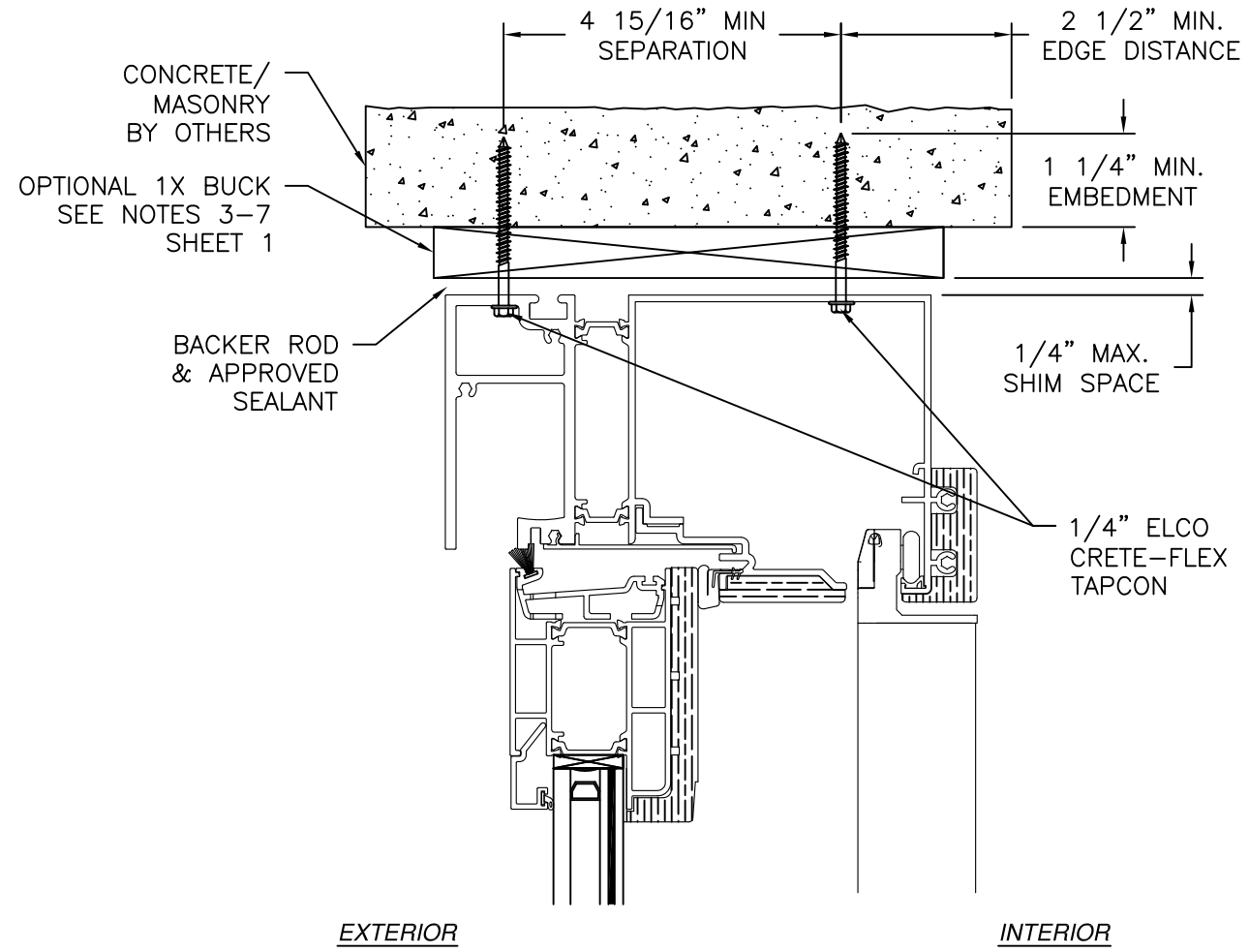
DRAWN: A.R.	DWG NO. 08-03190	REV -
SCALE NTS	DATE 10/23/17	SHEET 6 OF 9

L. ROBERTO LOMAS P.E.  
1432 WOODFORD RD LEWISVILLE, NC 27023  
434-688-0609 rllomas@rlomaspe.com

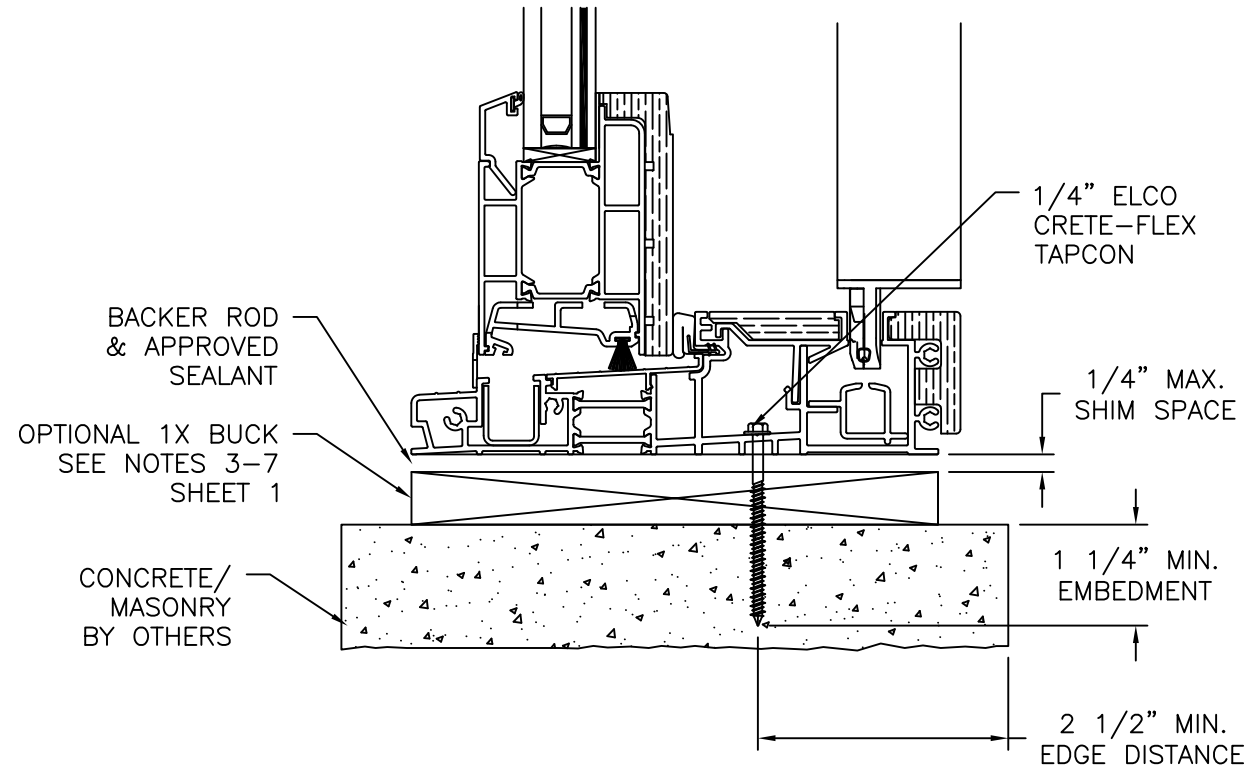


Luis R. Lomas P.E.  
FL No.: 62514

REVISIONS			
REV	DESCRIPTION	DATE	APPROVED



**JAMB INSTALLATION DETAIL**  
CONCRETE/MASONRY INSTALLATION



**VERTICAL CROSS SECTION**  
CONCRETE/MASONRY INSTALLATION

- NOTES:
1. INTERIOR AND EXTERIOR FINISHES, BY OTHERS, NOT SHOWN FOR CLARITY.
  2. PERIMETER AND JOINT SEALANT BY OTHERS TO BE DESIGNED IN ACCORDANCE WITH ASTM E2112

SIGNED: 10/24/2017

**CENTOR NORTH AMERICA INC.**  
966-130 CORPORATE BLVD.  
AURORA, IL 60502

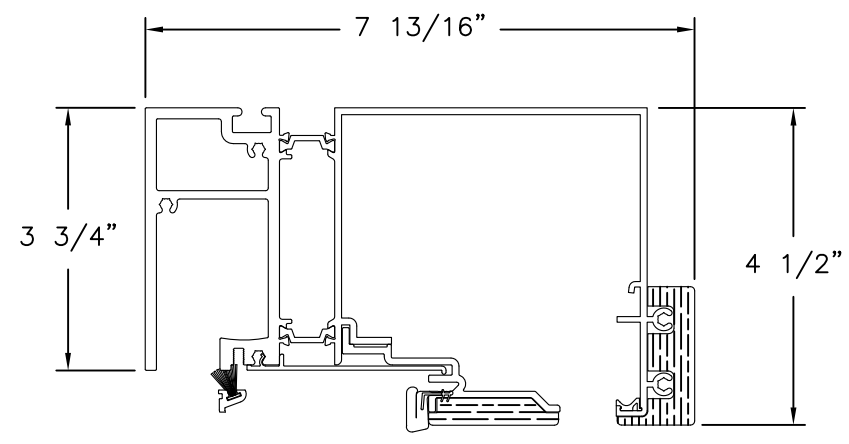
200 SERIES/MODEL 205 FOLDING OUTWARD  
OPENING DOOR WITH WOOD TRIM - IMPACT  
INSTALLATION DETAILS

DRAWN: A.R.	DWG NO. 08-03190	REV -
SCALE NTS	DATE 10/23/17	SHEET 7 OF 9

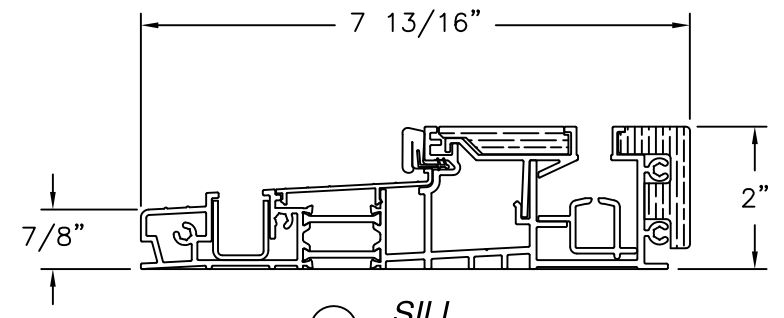
L. ROBERTO LOMAS P.E.  
1432 WOODFORD RD LEWISVILLE, NC 27023  
434-688-0609 rllomas@rlomaspe.com

Luis R. Lomas P.E.  
FL No.: 62514

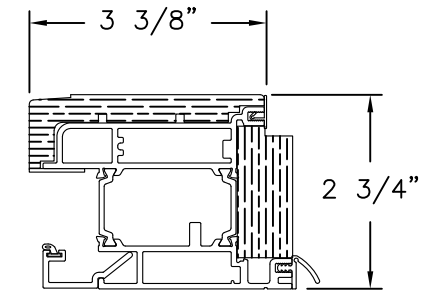
REVISIONS			
REV	DESCRIPTION	DATE	APPROVED



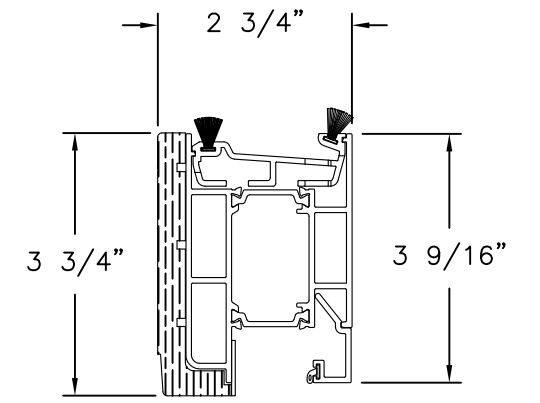
⑩ **HEAD**  
ASSY-0637



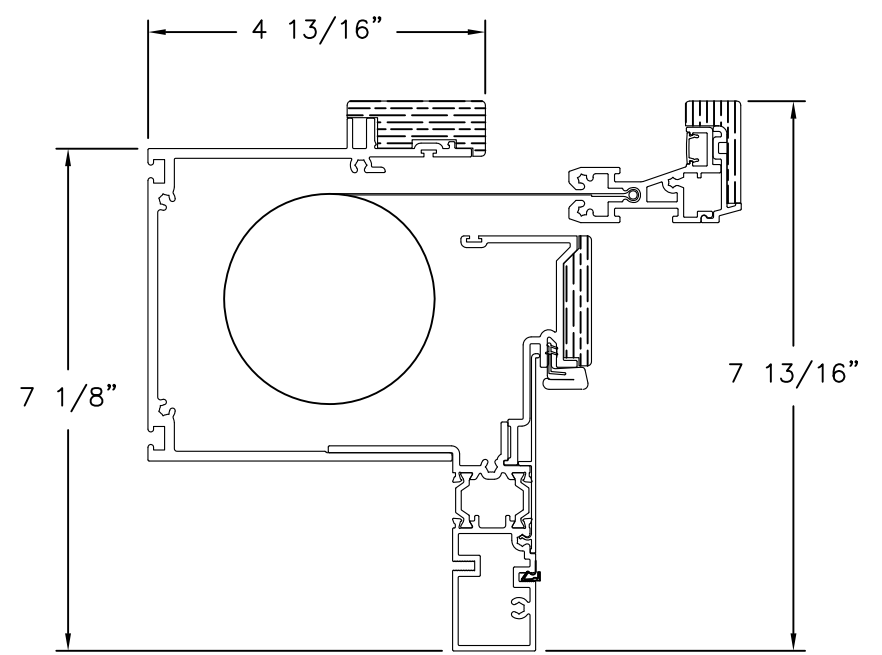
⑪ **SILL**  
ASSY-0571



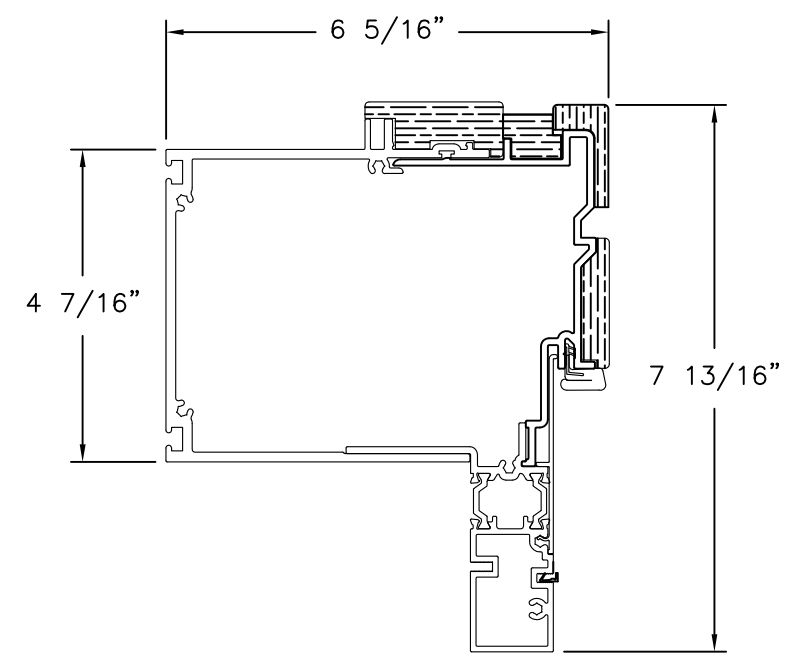
⑫ **STILE ACTIVE**  
ASSY-0814



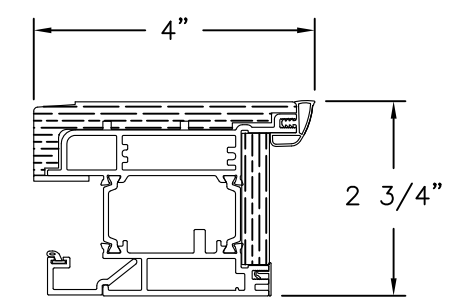
③ **TOP RAIL**  
ASSY-0816



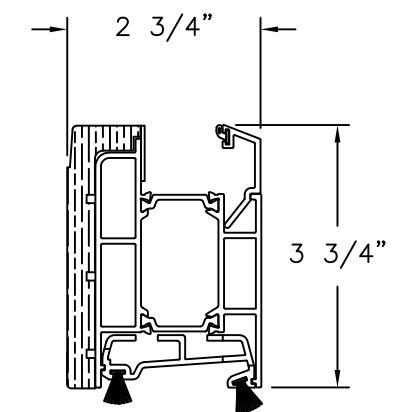
**INOPERABLE JAMB  
WITH SCREEN/BLIND BOX**



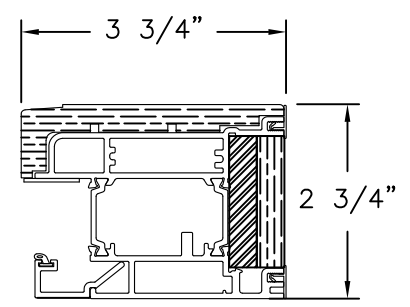
① **INOPERABLE JAMB**  
ASSY-0713



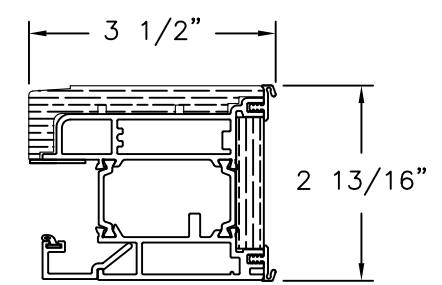
⑬ **STILE PASSIVE**  
ASSY-0815



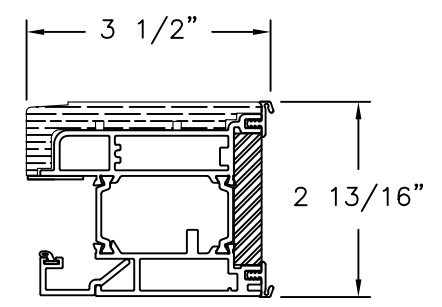
④ **BOTTOM RAIL**  
ASSY-0817



⑭ **JAMB STILE HURRICANE**  
ASSY-0807



② **COMMON STILE**  
ASSY-0813



**COMMON STILE HURRICANE**  
ASSY-0806

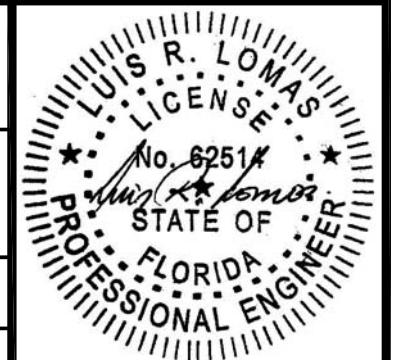
SIGNED: 10/24/2017

**CENTOR NORTH AMERICA INC.**  
966-130 CORPORATE BLVD.  
AURORA, IL 60502

200 SERIES/MODEL 205 FOLDING OUTWARD  
OPENING DOOR WITH WOOD TRIM - IMPACT  
COMPONENTS

DRAWN: A.R.	DWG NO. 08-03190	REV -
SCALE NTS	DATE 10/23/17	SHEET 8 OF 9

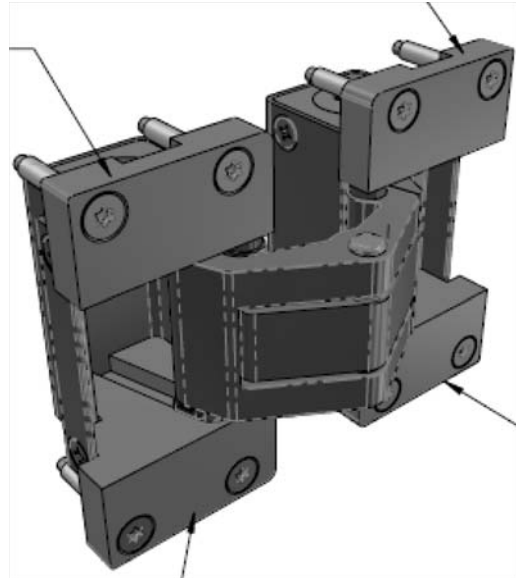
L. ROBERTO LOMAS P.E.  
1432 WOODFORD RD LEWISVILLE, NC 27023  
434-688-0609 rllomas@rlomaspe.com



Luis R. Lomas P.E.  
FL No.: 62514



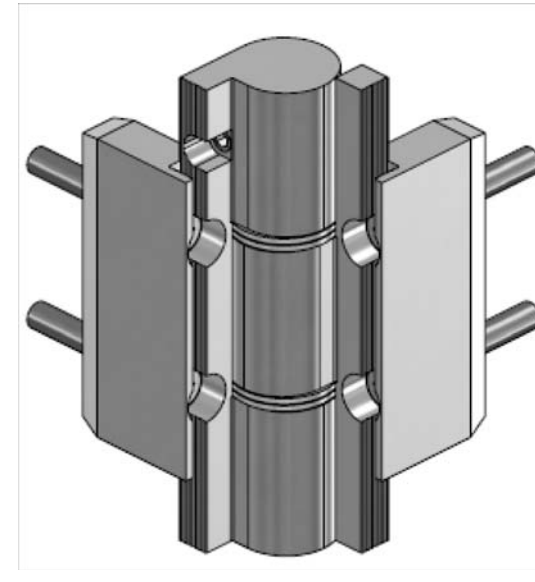
REVISIONS			
REV	DESCRIPTION	DATE	APPROVED



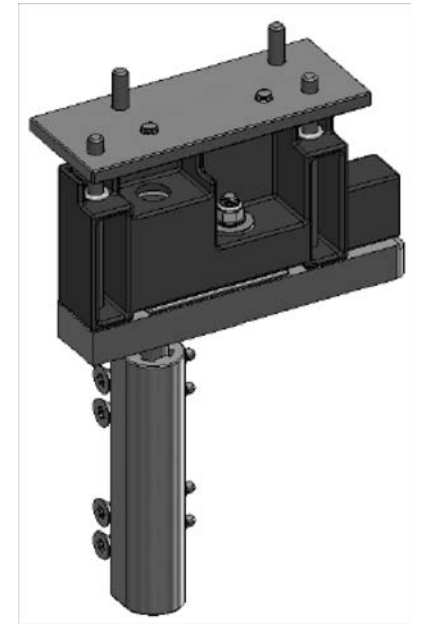
⑧ CONCEALED HINGE  
ASSY-0560



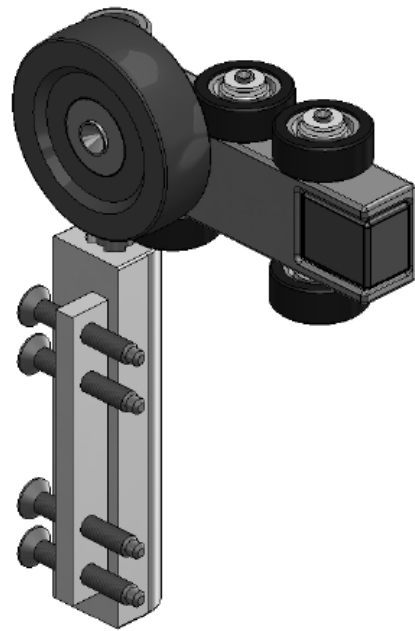
⑮ INTERMEDIATE CARRIER  
ASSY-0618



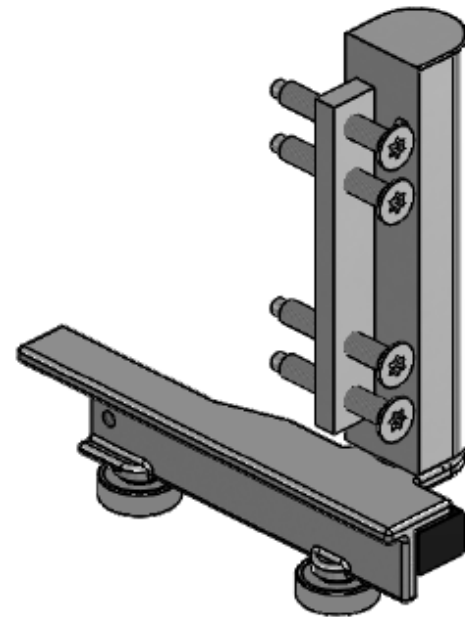
⑯ INTERMEDIATE HINGE  
ASSY-0620



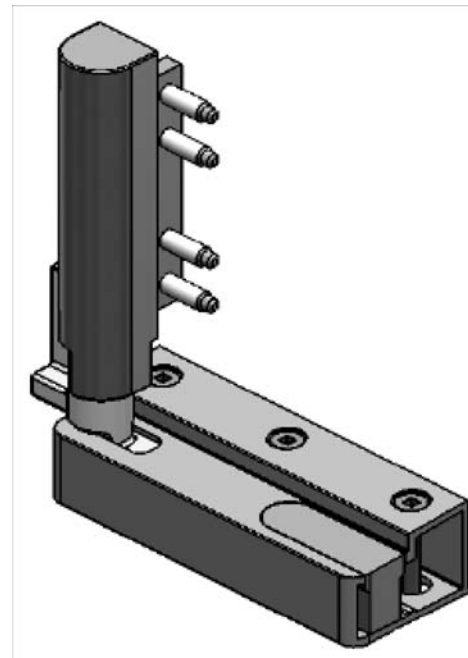
⑰ TOP PIVOT  
ASSY-0331



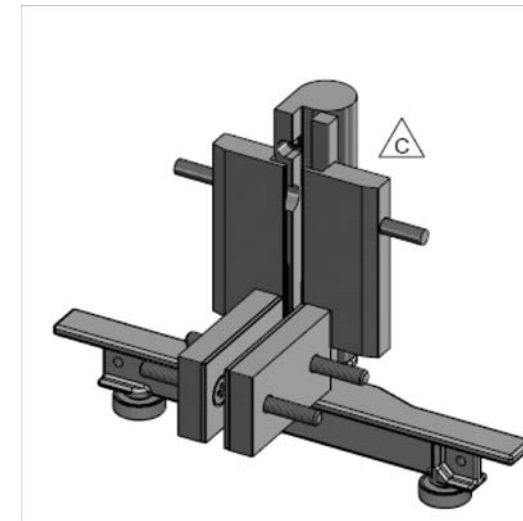
⑱ END CARRIER  
ASSY-0332



⑲ BOTTOM GUIDE JAMB  
ASSY-0626



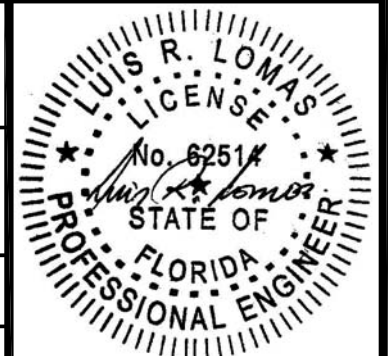
⑳ BOTTOM LEFT PIVOT  
ASSY-0565



㉑ INTERMEDIATE GUIDE  
ASSY-0619

SIGNED: 10/24/2017

<p><b>CENTOR NORTH AMERICA INC.</b> 966-130 CORPORATE BLVD. AURORA, IL 60502</p>		
<p>200 SERIES/MODEL 205 FOLDING OUTWARD OPENING DOOR WITH WOOD TRIM - IMPACT COMPONENTS</p>		
DRAWN: A.R.	DWG NO. 08-03190	REV -
SCALE NTS	DATE 10/23/17	SHEET 9 OF 9
<p>L. ROBERTO LOMAS P.E. 1432 WOODFORD RD LEWISVILLE, NC 27023 434-688-0609 rllomas@rlomaspe.com</p>		



Luis R. Lomas P.E.  
FL No.: 62514