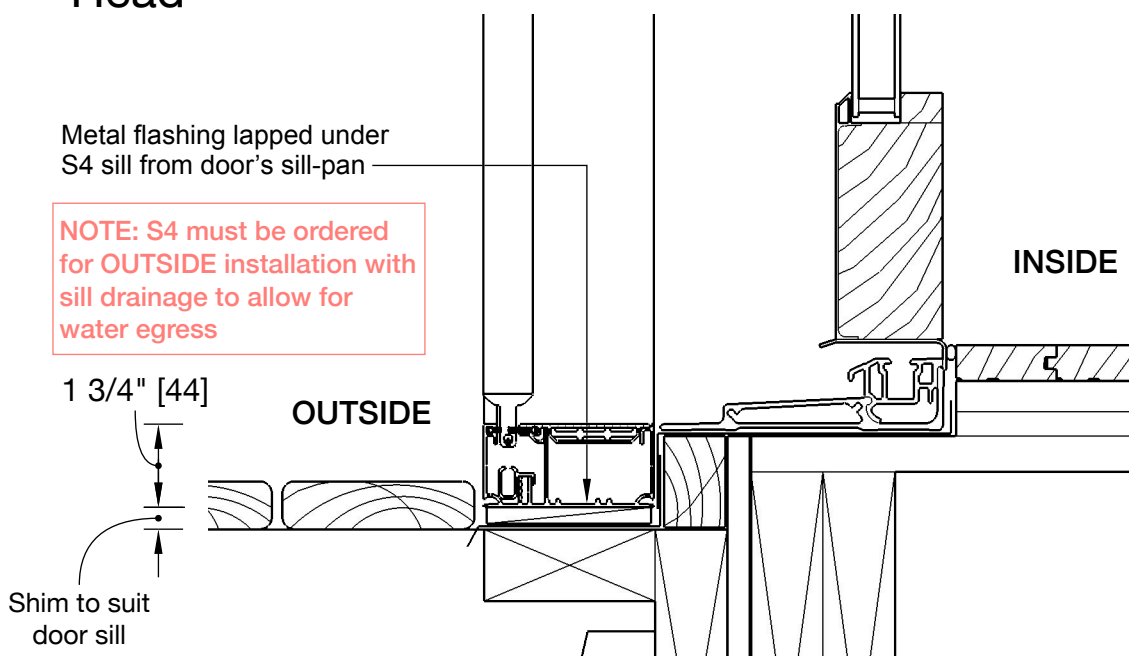
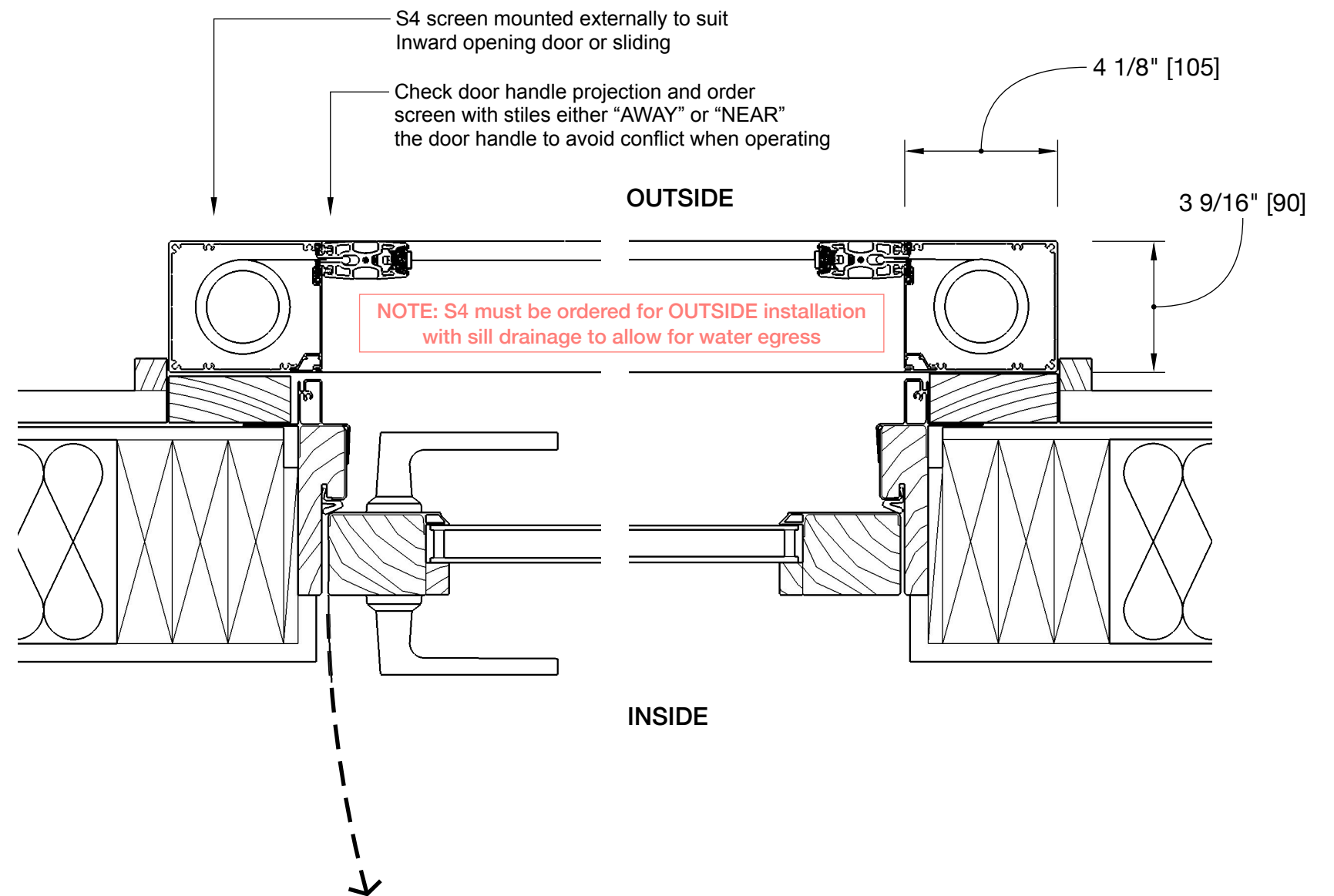


Vertical section Head



Vertical section Sill



Horizontal section - Jamb